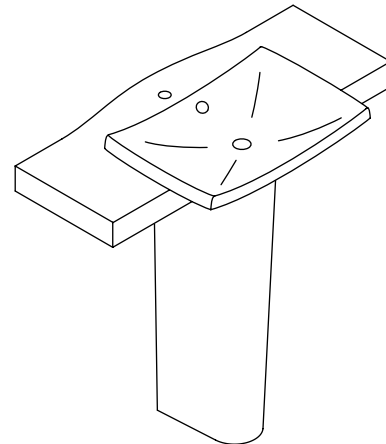


Features

- Fireclay
- Includes mounting hardware
- Single-hole
- Square basin shape
- Complements the Escalé® Suite
- 39-3/4" (101 cm) x 20-1/4" (51.6 cm) x 34-15/16" (88.7 cm)

PEDESTAL LAVATORY K-18691-1



Codes/Standards Applicable

Specified model meets or exceeds the following:

- ASME A112.19.2/CSA B45.1
- ASME A112.19.9

Colors/Finishes

- 0: White
- 47: Almond
- 96: Biscuit

Accessories

- CP: Polished Chrome
- Other: Refer to Price Book for additional colors/finishes

Specified Model

Model	Description	Colors/Finishes		
K-18691-1	Pedestal lavatory	<input type="checkbox"/> 0	<input type="checkbox"/> 47	<input type="checkbox"/> 96
Recommended Accessories				
K-19480-4	Symbol™ single-control lavatory faucet with pop-up drain	<input type="checkbox"/> CP	<input type="checkbox"/> Other _____	

Product Specification

The fireclay pedestal lavatory shall be 39-3/4" (101 cm) in width, 20-1/4" (51.6 cm) in length, and 34-15/16" (88.7 cm) in height. Pedestal lavatory shall feature an integrated work surface, square basin shape, and single-hole. Product shall include mounting hardware. Product shall complement the Escalé Suite. Pedestal lavatory shall be Kohler Model K-18691-1-_____.

ESCALE®

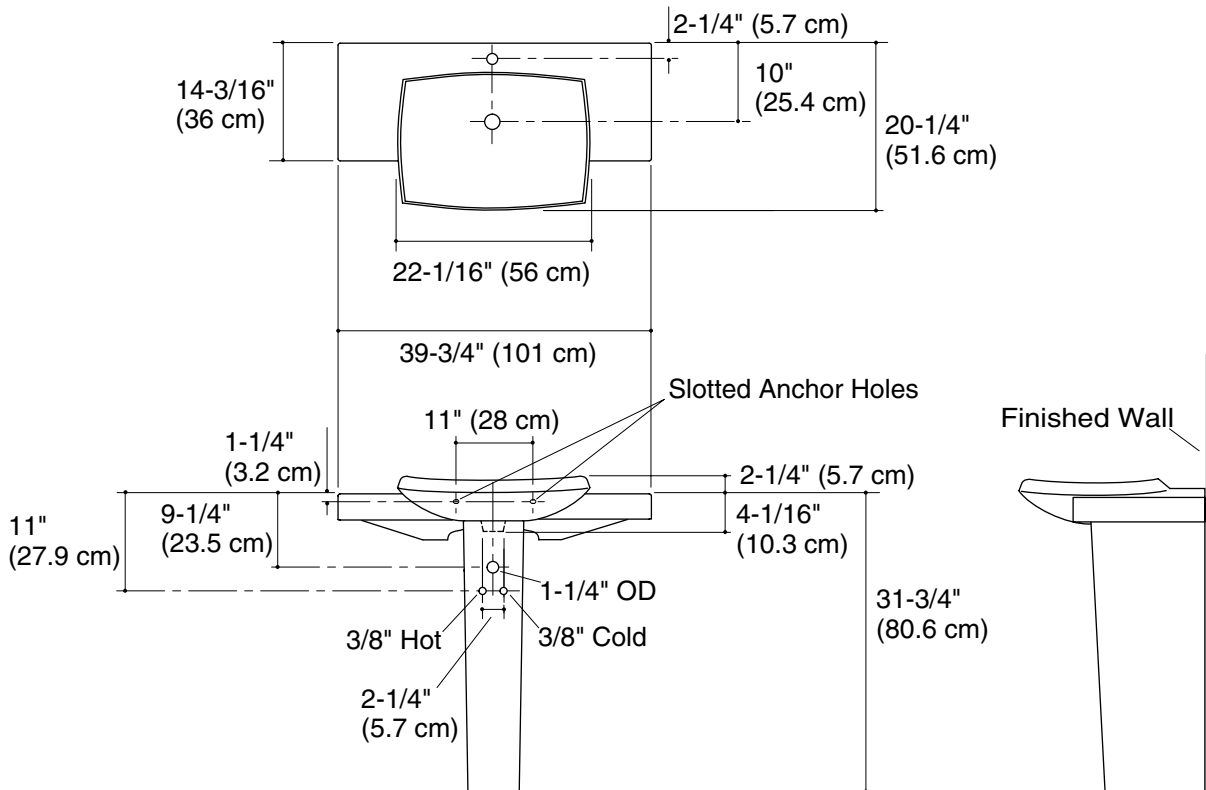
Technical Information

Fixture*:	
Basin area	22-1/16" (56 cm) x 16-3/8" (41.6 cm)
Water depth	4-1/4" (10.8 cm)
Drain hole	1-11/16" (4.3 cm) D.
Faucet hole	1-3/8" (3.5 cm) D.
*Approximate measurements for comparison only.	

Included components:	
Integrated top and basin	K-19034
Pedestal	K-19024
Mounting kit assembly	5527-NF
Overflow cover	C7709000-CP

Installation Notes

Install this product according to the installation guide.



Product Diagram