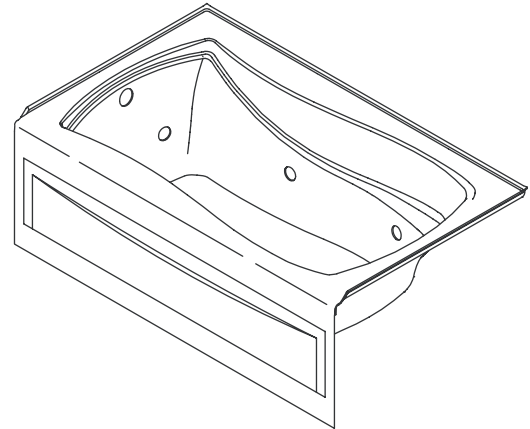


### Features

- Acrylic
- UL listed
- 1-1/4 hp pump with air switch and grounding-type plug-in cord
- 5 individually adjustable ProFlex hydro-massage jets
- Integral apron with removable access panel
- 66" (167.6 cm) x 36" (91.4 cm) x 20" (50.8 cm)
- Optional K-1639 timer kit
- Optional K-9695 whirlpool trim kit in various finishes

### 5.5' BATH WHIRLPOOL K-1224-LA/-RA



### Codes/Standards Applicable

Specified model meets or exceeds the following:

- ANSI Z124.1
- ASME A112.19.7
- IAPMO/UPC
- Underwriter's Laboratories (UL)
- Listed in State of Massachusetts

### Colors/Finishes

- 0: White
- Other: Refer to Price Book for additional colors/finishes

### Accessories:

- CP: Polished Chrome
- PB: Polished Brass
- Other: Refer to Price Book for additional colors/finishes
- NA: None applicable

### Specified Model

Model	Description	Colors/Finishes		
K-1224-LA	Whirlpool, left drain hole, integral apron (shown)	<input type="checkbox"/> 0 White	<input type="checkbox"/> Other _____	
K-1224-RA	Whirlpool, right drain hole, integral apron	<input type="checkbox"/> 0 White	<input type="checkbox"/> Other _____	
<b>Recommended Accessory</b>				
K-7161-AF	Drain	<input type="checkbox"/> CP	<input type="checkbox"/> PB	<input type="checkbox"/> Other _____
<b>Optional Accessories</b>				
K-9695	Jet trim kit (metal finishes)	<input type="checkbox"/> CP	<input type="checkbox"/> PB	<input type="checkbox"/> Other _____
K-1639	Timer kit	<input type="checkbox"/> NA		

### Product Specification:

The bath whirlpool shall be 66" (167.6 cm) in length, 36" (91.4 cm) in width, and 20" (50.8 cm) in height. Bath whirlpool shall have integral apron with removable panel for front access. Bath whirlpool shall have 5 individually adjustable Proflex hydro-massage jets, 1-1/4 HP pump with air switch and cord with plug. Bath whirlpool shall be UL listed. Bath whirlpool shall have optional K-9695 trim kit. Bath whirlpool shall have optional K-1639 timer kit. Bath whirlpool shall be Kohler Model K-1224-\_\_\_\_-\_\_\_\_.

# MARIPOSA

## Technical Information

Fixture:*	basin area	top area	weight
Bathing well	48" (121.9 cm) x 24" (61 cm)	59" (149.9 cm) x 30" (76.2 cm)	110 lbs. (50 kg)
To overflow	water depth	capacity	
	14" (35.6 cm)	67 gal. (254 L)	

\* Approximate measurements for comparison only.

Pump	HP	V	Hz	A
1 speed	1-1/4	120 V	60 Hz	7.5

No change in measurements if connected with drain illustrated. (K-7161-AF or K-7161M-AF)

## Required Electrical Service

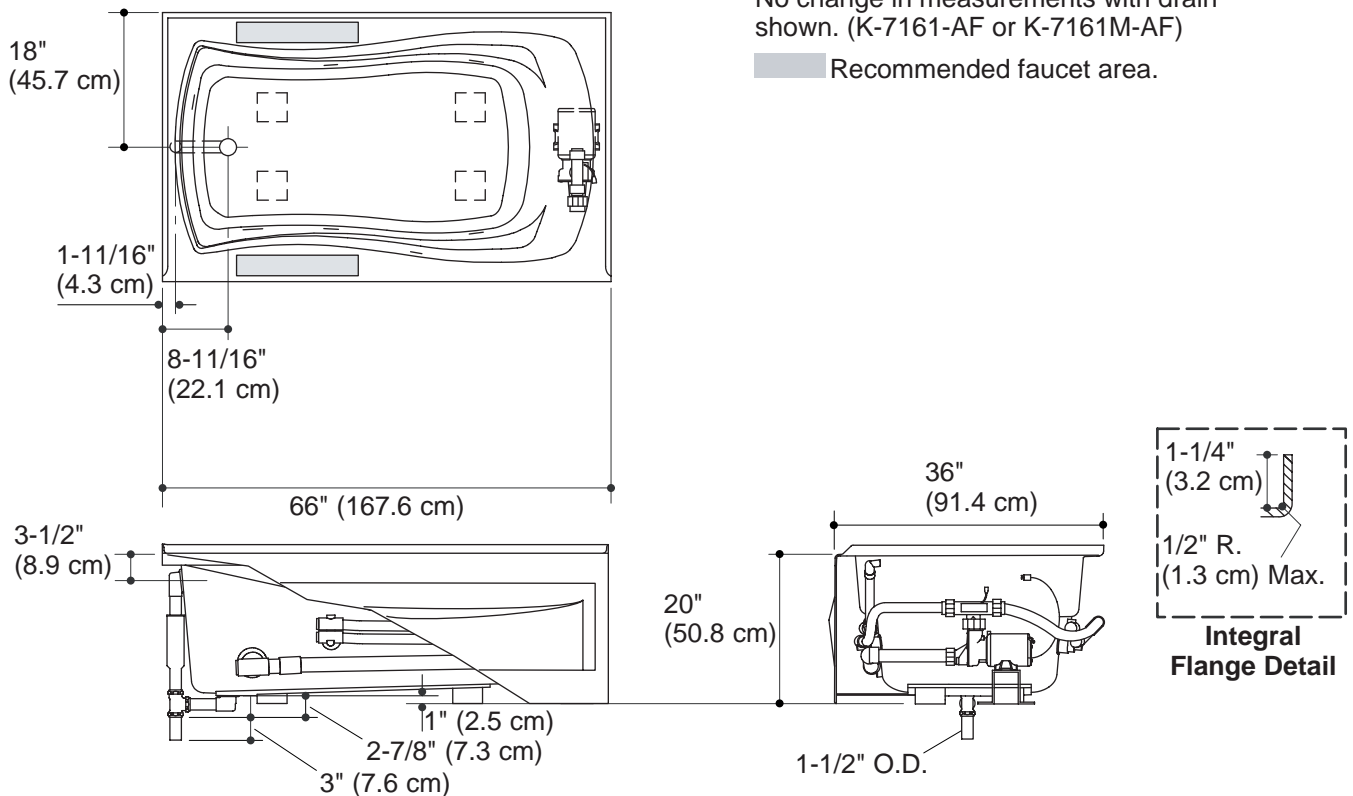
Dedicated circuit required, protected with a Class A Ground-Fault Circuit-Interrupter (GFCI).	
Pump/control	120 V, 15A, 60 Hz
Locate the outlet behind the whirlpool and within 24" (61 cm) of the pump	

## Installation Notes

Install this product according to the installation guide.

Floor support under whirlpool must provide for a minimum of 80 lbs./square foot (390 kg/square meter).

If installing a rim mount faucet, make sure there is no interference with drain overflow and circulating system before drilling any holes. Consult local and national codes for minimum air gap requirements if installing a spout on the faucet deck.



## Product Diagram