

Features

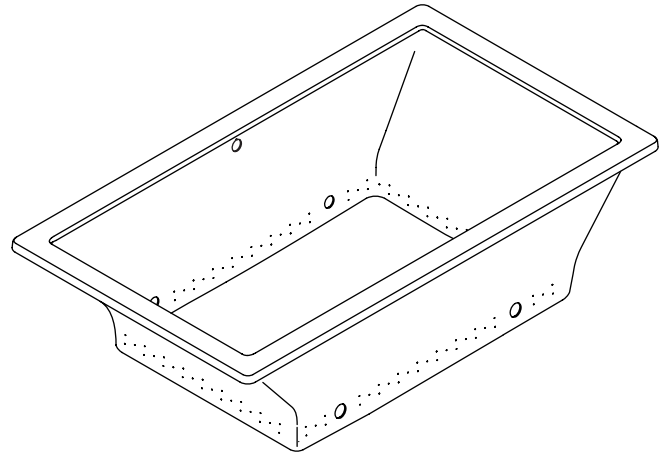
- Acrylic
- Blower motor with 300 W heater and electronic back-lit user control
- 122 BubbleMassage™ airjets
- With Zones of Control™ feature
- Available with chromatherapy [-GCR]
- 72" (182.9 cm) x 42" (106.7 cm) x 23" (58.4 cm)

Codes/Standards Applicable

Specified model meets or exceeds the following:

- ANSI Z124.1.2
- IAPMO/UPC IGC 171
- Underwriters Laboratories (UL)
- ASME A112.19.7M

6' (1.8 m) BUBBLEMASSAGE™ BATH K-1174-G ALSO K-1174-GCR



Colors/Finishes

- 0: White
- Other: Refer to Price Book for additional colors/finishes

Accessories

- CP: Polished Chrome
- PB: Vibrant® Polished Brass
- Other: Refer to Price Book for additional colors/finishes
- NA: None applicable

Specified Model

Model	Description	Colors/Finishes	
K-1174-G	6' (1.8 m) BubbleMassage bath	<input type="checkbox"/> 0	<input type="checkbox"/> Other _____
K-1174-GCR	6' (1.8 m) BubbleMassage bath with chromatherapy	<input type="checkbox"/> 0	<input type="checkbox"/> Other _____

Required Accessories

K-7272	Clearflo slotted overflow bath drain	<input type="checkbox"/> CP	<input type="checkbox"/> PB	<input type="checkbox"/> Other _____
--------	--------------------------------------	-----------------------------	-----------------------------	--------------------------------------

Optional Accessories

K-592	Undermount kit	N/A			
K-1491	Pillow		<input type="checkbox"/> 0		<input type="checkbox"/> Other _____
K-1601	Footstop		<input type="checkbox"/> 0		<input type="checkbox"/> Other _____

Product Specification

The acrylic BubbleMassage bath shall be 72" (182.9 cm) in length, 42" (106.7 cm) in width, and 23" (58.4 cm) in height. Product shall have a blower motor with 300 W heater and electronic back-lit user control. Product shall feature Zones of Control and 122 BubbleMassage airjets. Product shall be available with chromatherapy [-GCR]. BubbleMassage bath shall be Kohler Model K-1174-_____-_____

UNDERScore™

Optional Accessories

K-1705	Remote control	N/A			
K-9498	3" (7.6 cm) whirlpool keypad trim		<input type="checkbox"/> CP	<input type="checkbox"/> PB	<input type="checkbox"/> Other_____

Technical Information

Fixture*:				
Bathing well:				
Basin area, bottom	45-3/4" (116.2 cm) x 32" (81.3 cm)			
Basin area, top	66" (167.6 cm) x 36" (91.4 cm)			
Weight	110 lbs (49.9 kg)			
To overflow:				
Water depth	19" (48.3 cm)			
Capacity	139 gal (526.2 L)			
* Approximate measurements for comparison only.				
Drop-in cutout	70-1/2" (179.1 cm) x 40-1/2" (102.9 cm)			
Blower motor/control:	Heater	V	Hz	A
	300 W	220-240	50/60	3

Required Electrical Service

Dedicated circuit required, protected with Class A Ground-Fault Circuit-Interrupter (GFCI) or Residual Current Device (RCD):

Blower motor/control 220-240 V, 15 A, 50/60 Hz

Installation Notes

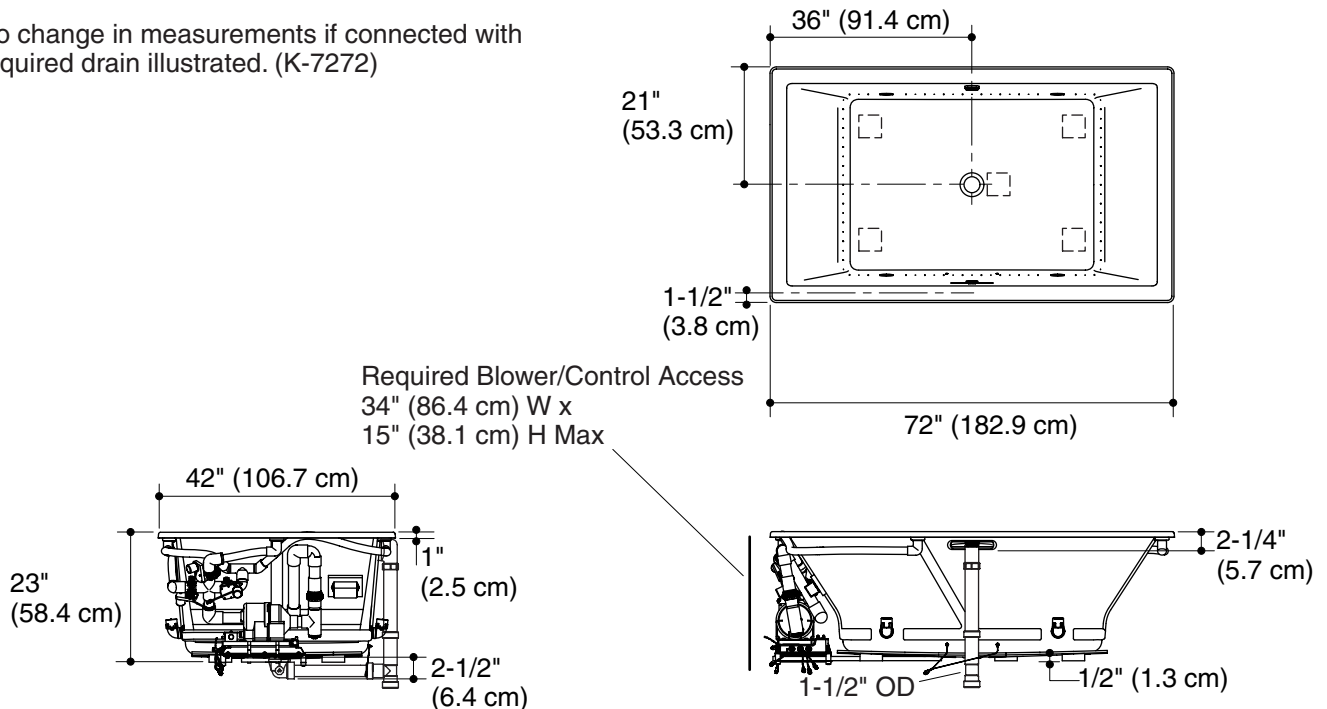
Install this product according to the installation guide.

Floor support under bath must provide for a minimum of 42 lbs/square foot (204 kg/square meter) loading.

Hot water supply should be 70% of capacity or greater. Installations will vary.

A blower motor/control access panel is required.

No change in measurements if connected with required drain illustrated. (K-7272)



Product Diagram