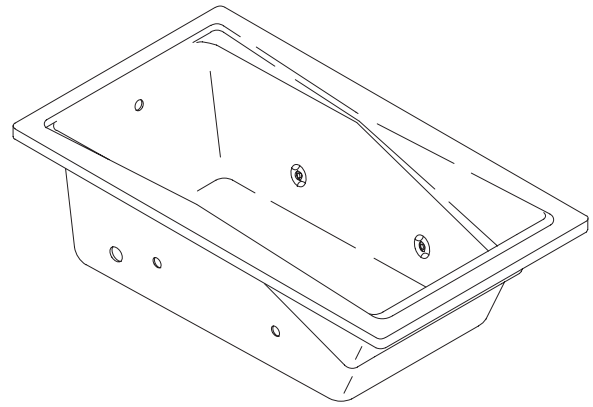


#### FEATURES

- 60" (152.4cm) x 30" (76.2cm) x 17" (43.2cm)
- Acrylic
- Drop-in
- 4 individually adjustable ProFlex hydro-massage jets
- 1-1/4 HP pump with air switch and cord with plug
- UL listed
- ADA compliant when installed with seat at head end
- Optional K-1279 separate apron
- Optional K-9694 whirlpool trim kit in various finishes
- Optional K-1639 timer kit



#### CODES/STANDARDS APPLICABLE

Specified model meets or exceeds the following:

- ASME/ANSI A112.19.7M
- ANSI Z124.1
- IAPMO/UPC
- Underwriters Laboratories (UL)
- State of Massachusetts
- Dade County, Florida
- City of Los Angeles, CA

#### COLORS/FINISHES

- 0 White
- Other Refer to Fixtures Price Book for additional colors

#### Accessories:

- CP Polished Chrome
- PB Polished Brass
- Other Refer to Price Book for additional finishes
- NA None Applicable

#### SPECIFIED MODEL:

Model	Description	Colors/Finishes		
K-1201	Whirlpool, drop-in (shown)	<input type="checkbox"/> 0 White	<input type="checkbox"/> Other_____	
<b>Recommended Accessories</b>				
K-7161-AF	Drain	<input type="checkbox"/> CP	<input type="checkbox"/> PB	<input type="checkbox"/> Other_____
<b>Optional Accessories</b>				
K-1279	Separate apron with removable panel for front access	<input type="checkbox"/> 0 White	<input type="checkbox"/> Other_____	
K-9694	Jet trim kit (metal finishes)	<input type="checkbox"/> CP	<input type="checkbox"/> PB	<input type="checkbox"/> Other_____
K-1639	Timer Kit	<input type="checkbox"/> NA		

#### PRODUCT SPECIFICATION:

The bath whirlpool shall be 60" (152.4cm) in length, 30" (76.2cm) in width, and 17" (43.2cm) in height. Drop-in bath whirlpool shall be made of acrylic. Bath whirlpool shall have 4 individually adjustable ProFlex hydro-massage jets, 1-1/4 HP pump with air switch and cord with plug. Bath whirlpool shall be UL listed. Bath whirlpool shall have optional K-1279 separate apron. Bath whirlpool shall have optional K-9694 trim kit. Bath whirlpool shall have optional K-1639 timer kit. Bath whirlpool shall be Kohler Model K-1201-\_\_\_\_\_.

# HOURGLASS™ 30

## PRODUCT INFORMATION

Fixture*:	basin area	top area	weight
Bathing well	42" (106.7cm) x 17" (43.2cm)	55" (139.7cm) x 25" (63.5cm)	93 lbs. (42.2kg)
	water depth	capacity	
To overflow	12-1/8" (30.8cm)	50 gal. (189.3L)	

\* Approximate measurements for comparison only.

Pump:	HP	V	Hz	A
1-speed	1-1/4	120	60	7.5

## REQUIRED ELECTRICAL SERVICE

Dedicated circuit required, protected with Class A Ground-Fault Circuit-Interrupter (GFCI):

Pump/control	120 V, 15 A, 60 Hz
--------------	--------------------

Locate the outlet behind the whirlpool and within 24" (61cm) of the pump.

## INSTALLATION NOTES

Install this product according to the installation guide.

Floor support under whirlpool must provide for a minimum of 80 lbs./square foot (390 Kg./square meter) loading.

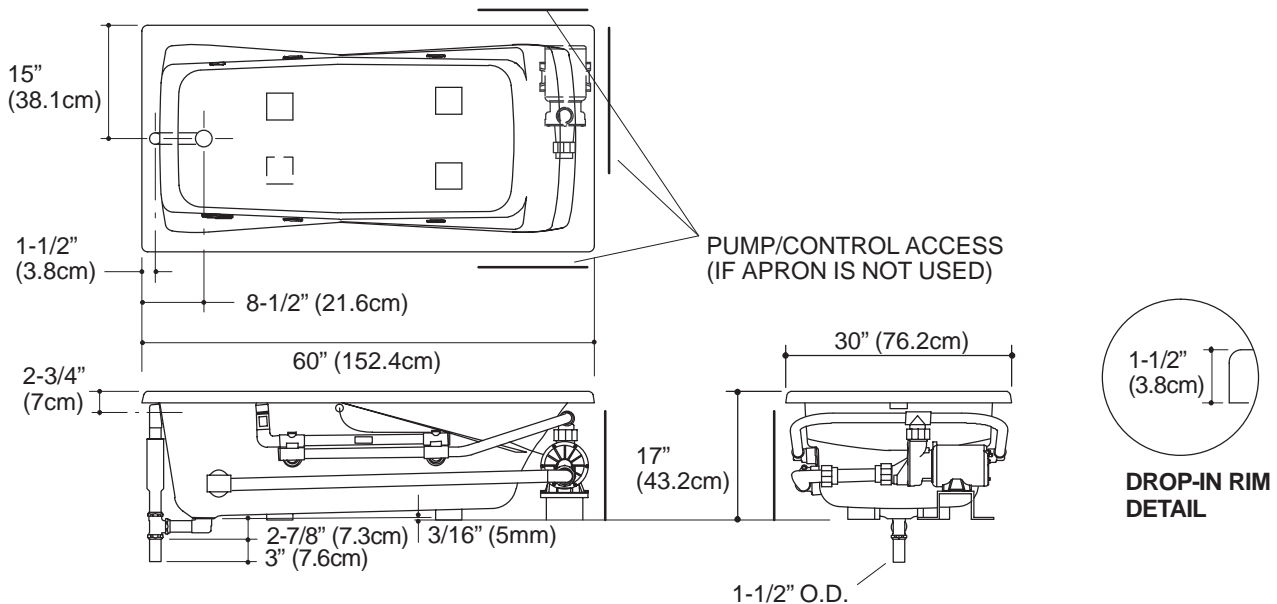
The apron must be installed before the finish floor and wall materials are installed.

No change in measurements if connected with drain illustrated. (K-7161-AF or K-7161M-AF)

Drop-in cut-out	58-1/2" (148.6cm) x 28-1/2" (72.4cm)
-----------------	--------------------------------------

Minimum access panel:

Pump/control	20" (50.8cm) W x 15" (38.1cm) H	required
--------------	---------------------------------	----------



## PRODUCT DIAGRAM