

### Features

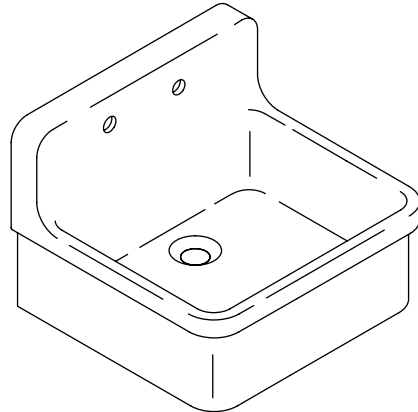
- Single compartment
- With integral apron
- Vitreous china
- Wall-mount or self-rimming installation
- Available with KOHLER Artist Editions designs
- Two-hole faucet drilling on 8" (20.3 cm) centers
- 24" (61 cm) x 22" (55.9 cm) x 8-5/8" (21.9 cm)

### Codes/Standards Applicable

Specified model meets or exceeds the following:

- ASME A112.19.2/CSA B45.1

## APRON-FRONT KITCHEN SINK K-12701



### Colors/Finishes

- 0: White
- Other: Refer to Price Book for additional colors/finishes

### Accessories

- 0: White
- CP: Polished Chrome
- PB: Vibrant® Polished Brass
- NA: None applicable
- Other: Refer to Price Book for additional colors/finishes

### Specified Model

Model	Description	Colors/Finishes	
K-12701	8" (20.3 cm) centers sink	<input type="checkbox"/> 0	<input type="checkbox"/> Other_____
<b>Recommended Accessories</b>			
K-1814-P	Wall brackets	<input type="checkbox"/> NA	
K-9000	P-trap	<input type="checkbox"/> CP	
<b>Optional Accessories</b>			
K-5917	Countertop hardwood cutting board	<input type="checkbox"/> NA	
K-6013	Bottom basin rack	<input type="checkbox"/> 0	<input type="checkbox"/> Other_____
K-8801	Sink strainer	<input type="checkbox"/> CP	<input type="checkbox"/> PB <input type="checkbox"/> Other_____

### Product Specification

The sink shall be 24" (61 cm) in length, 22" (55.9 cm) in width, and 8-5/8" (21.9 cm) in depth. The sink shall be made of vitreous china. The sink shall have wall-mount or self-rimming installation with integral apron. The sink shall be single compartment. The sink shall feature two-hole faucet drilling on 8" (20.3 cm) centers. Sink shall be available with KOHLER Artist Editions designs. The sink shall be Kohler Model K-12701-\_\_\_\_\_.

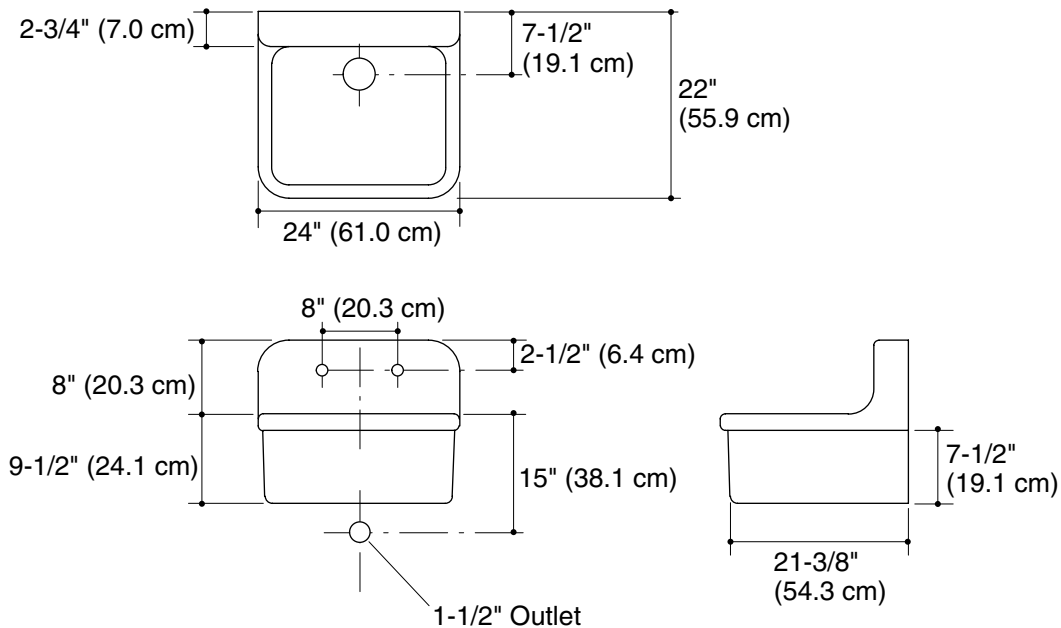
# GILFORD™

## Technical Information

Fixture*:	
Sink	
Basin area	22" (55.9 cm) x 18" (45.7 cm)
Water depth	8-5/8" (21.9 cm)
Outlet:	
3-5/8" (9.2 cm) D.	
* Approximate measurements for comparison only.	

## Installation Notes

Install this product according to the installation guide.



## Product Diagram