

**LAVATORY FAUCET
K-14660-4**

ADA

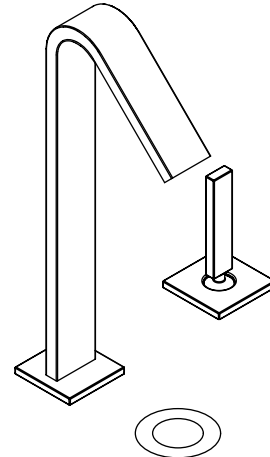
Features

- Metal construction
- One-piece, self-contained ceramic disc valve allows both volume and temperature control
- Flexible connections for easy installation
- Countertop-mount installation
- ADA compliant remote lever handle
- 2" (5.1 cm) diameter valve
- 5-1/4" (13.3 cm) spout reach
- Touch-activated drain with tailpiece and overflow
- 2.2 gallons (8.3 L) per minute maximum flow rate

Codes/Standards Applicable

Specified model meets or exceeds the following at date of manufacture:

- ADA
- ASME A112.18.1/CSA B125.1
- ICC/ANSI A117.1
- Energy Policy Act of 1992
- NSF 61
- All applicable US Federal and State material regulations



Colors/Finishes

- CP: Polished Chrome
- Other: Refer to Price Book for additional colors/finishes

Specified Model

Model	Description	Colors/Finishes	
K-14660-4	Lavatory faucet	<input type="checkbox"/> CP	<input type="checkbox"/> Other ____

Product Specification

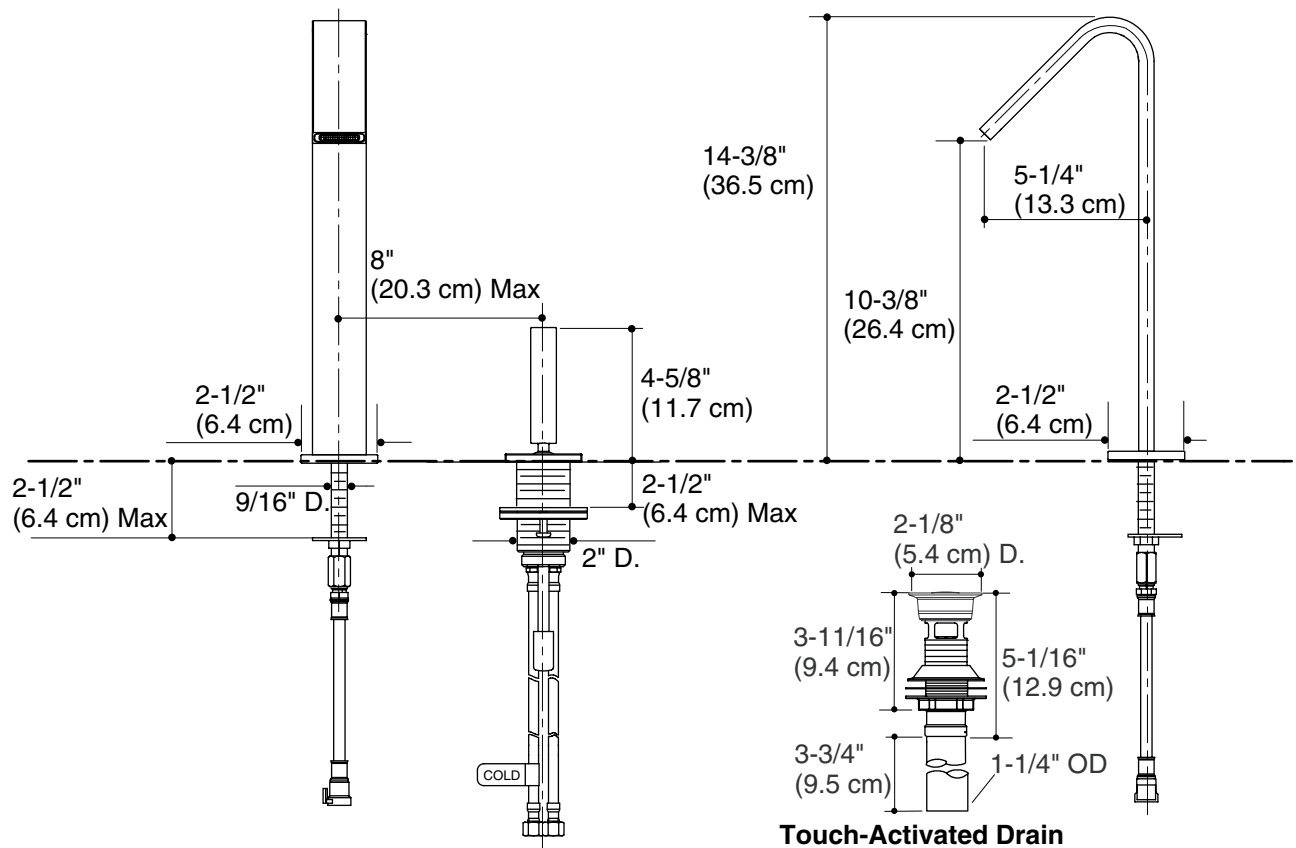
The lavatory faucet shall be made of metal construction. Product shall have a maximum flow rate of 2.2 gallons (8.3 L) per minute. Product shall feature a one-piece, self-contained ceramic disc valve, which allows both volume and temperature control. Product shall feature a 2" (5.1 cm) diameter remote joystick valve, and ADA compliant remote lever handle. Product shall feature a spout reach of 5-1/4" (13.3 cm). Product shall feature flexible connections for easy installation. Product shall be for countertop-mount installation. Product shall have touch-activated drain with tailpiece and overflow. Faucet shall be Kohler Model K-14660-4-____.

LOURE™

Installation Notes

Install this product according to the installation guide.

NOTICE: Due to the non-standard 2" (5.1 cm) diameter of the remote valve, the remote valve **cannot** be mounted through a standard 1-3/8" (3.5 cm) faucet hole of a sink. Choose a sink without faucet holes, then mount the faucet and remote valve through the countertop. Refer to the countertop manufacturer's instructions for proper hole drilling.



Product Diagram