

**BIDET FAUCET
K-14663-4**

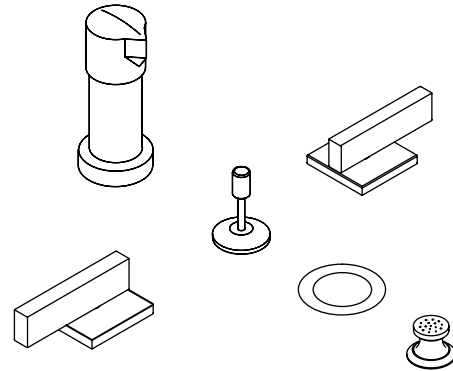
Features

- Metal construction
- Brass valve bodies
- Reversible quarter-turn washerless ceramic disc valves
- Flexible connections for easy installation
- Fixture-mount transfer valve/vacuum breaker
- Vertical spray
- Pop-up drain with lift rod and tailpiece
- Available with lever handle

Codes/Standards Applicable

Specified model meets or exceeds the following:

- ASME A112.18.1/CSA B125.1
- ASSE 1001



Colors/Finishes

- CP: Polished Chrome
- Other: Refer to Price Book for additional colors/finishes

Specified Model

Model	Description	Colors/Finishes	
K-14663-4	Bidet faucet with lever handles	<input type="checkbox"/> CP	<input type="checkbox"/> Other _____

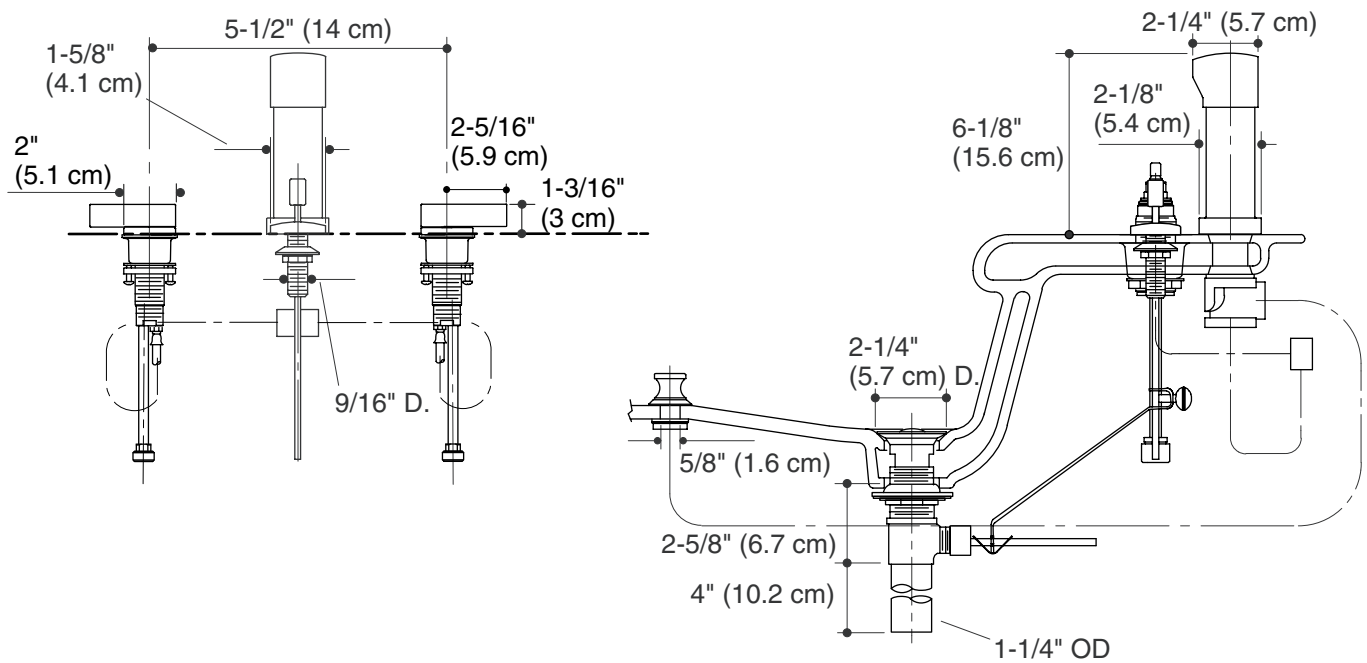
Product Specification

Two-handle fixture-mount bidet faucet shall be made of metal construction. Faucet shall feature brass valve bodies. Faucet shall feature reversible quarter-turn washerless ceramic disc valves. Product shall include flexible connections for easy installation, pop-up drain with lift rod and tailpiece. Faucet shall be available with lever handles, vertical spray, and fixture-mount transfer valve/vacuum breaker. Faucet shall be Kohler Model K-14663-4-_____.

LOURE™

Installation Notes

Install this product according to the installation guide.



Product Diagram