

FREESTANDING BATH K-1805

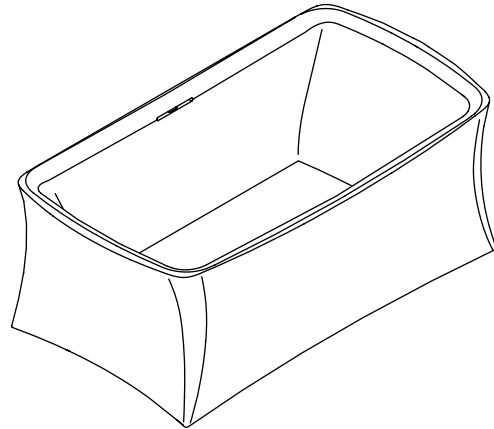
Features

- Cast acrylic
- Freestanding bath
- Cast integral overflow increases bathing depth
- Included drain and drain cover
- 65-13/16" (167.2 cm) x 36" (91.4 cm) x 25-3/16" (64 cm)

Codes/Standards Applicable

Specified model meets or exceeds the following:

- ANSI Z124.1.2
- CSA B45.0
- CSA B45.5
- ASME A112.18.2/CSA B125.2 [Drain]



Colors/Finishes

- HW1: Honed White

Accessories

- CP: Polished Chrome
- Other: Refer to Price Book for additional colors/finishes

Specified Model

| Model | Description | Colors/Finishes |
|--------|-------------------|------------------------------|
| K-1805 | Freestanding bath | <input type="checkbox"/> HW1 |

| Recommended Accessories | | | |
|-------------------------|---|-----------------------------|--------------------------------------|
| K-923 | Laminar wall or ceiling-mount bath filler | <input type="checkbox"/> CP | <input type="checkbox"/> Other _____ |
| K-994-4 | Floor-mount bath filler with handshower | <input type="checkbox"/> CP | |
| K-10129-4 | Floor-mount bath filler with handshower | <input type="checkbox"/> CP | |

Product Specification

The freestanding bath shall be made of cast acrylic. Product shall be 65-13/16" (167.2 cm) in length, 36" (91.4 cm) in width, and 25-3/16" (64 cm) in height. Bath shall include drain and drain cover. Bath shall have cast integral overflow, which increases bathing depth. Bath shall be Kohler Model K-1805-_____.

ALIENTO™

Technical Information

| | |
|---|---|
| Fixture*: | |
| Bathing well: | |
| Basin area, bottom | 45-1/2" (115.6 cm) x 26" (66 cm) |
| Basin area, top | 63-1/4" (160.7 cm) x 30-3/16" (76.7 cm) |
| Weight | 524 lbs (237.7 kg) |
| To overflow: | |
| Water depth | 18-1/2" (47 cm) |
| Capacity | 115 gal (435.3 L) |
| * Approximate measurements for comparison only. | |

Installation Notes

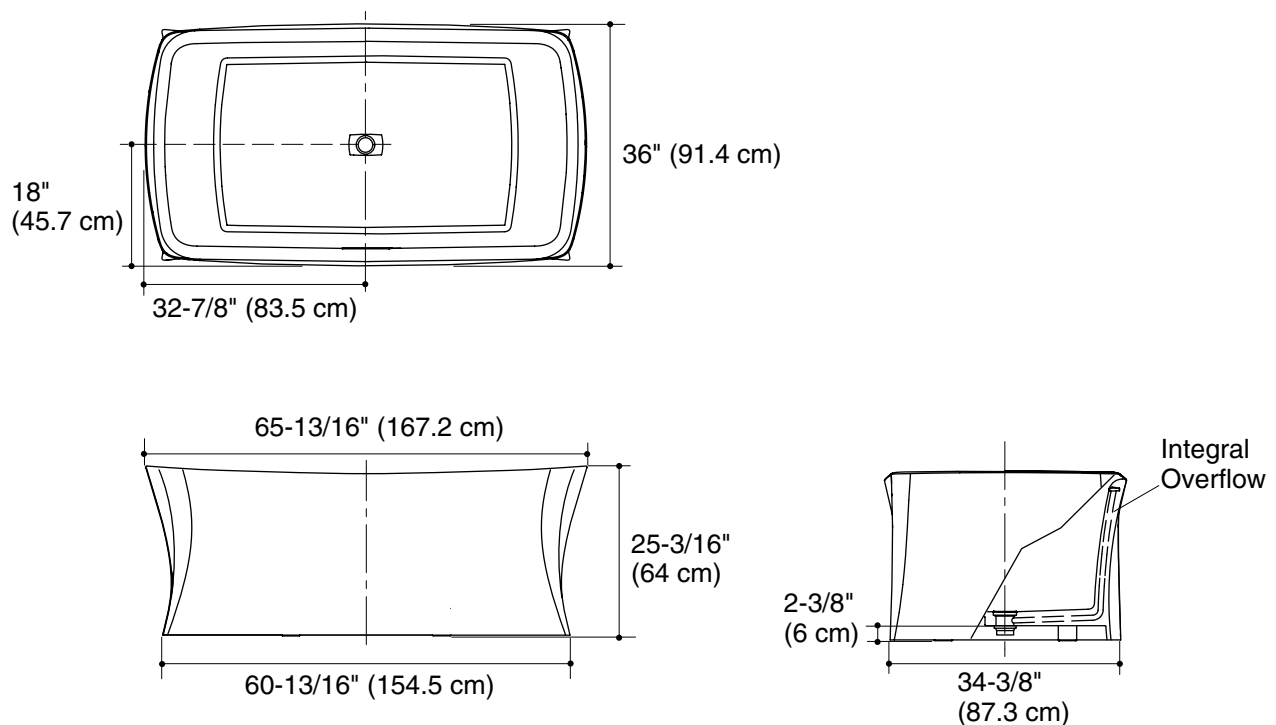
Install this product according to the installation guide.

Floor support under bath must provide for a minimum of 87 lbs/square foot (423 kg/square meter) loading.

Install a standard 1-1/2" bath drain pipe so that it extends 2-1/8" (5.4 cm) above the finished floor.

Cast acrylic baths are extremely heavy, making some installations difficult.

NOTE: Use lifting straps to lift or move the bath.



Product Diagram