

KOHLER® Roughing-In

K-1822-G, K-1822-GCR UNDERSCORE® BUBBLEMASSAGE™ BATH

Product Information

Applicable product:	
BubbleMassage bath – without chromatherapy (shown)	K-1822-G
BubbleMassage bath – with chromatherapy	K-1822-GCR

Fixture*:	
Bathing well:	
Basin area, bottom	44-1/2" (113 cm) x 22-5/16" (56.7 cm)
Basin area, top	59-5/8" (151.4 cm) x 25-1/2" (64.8 cm)
Weight	111 lbs (50 kg)
To overflow:	
Water depth	18" (45.7 cm)
Capacity	85.8 gal (325 L)
* Approximate measurements for comparison only.	

Drop-in cut-out	64-1/2" (163.8 cm) x 30-1/2" (77.5 cm)
-----------------	--

Blower motor/control:	Heater	V	Hz	A
	300 W	220-240	50/60	3

Required accessories:	
Clearflo slotted overflow brass bath drain OR	K-7271
Clearflo slotted overflow bath drain – PVC pipe	K-7272

Required Electrical Service

Dedicated circuit required, protected with Class A Ground-Fault Circuit-Interrupter (GFCI) or Residual Current Device (RCD):	
Blower motor/control:	220-240 V, 15 A, 50/60 Hz

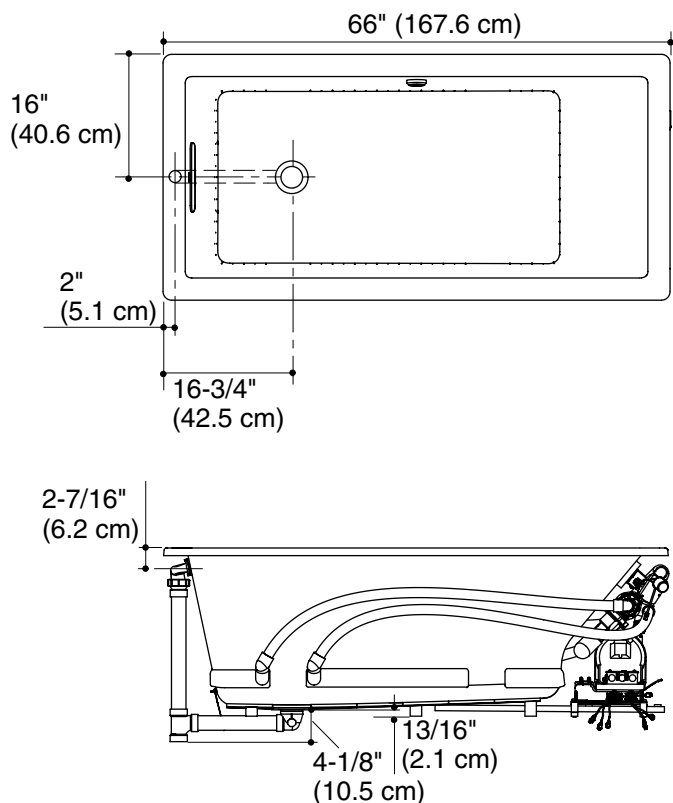
Installation Notes

Install this product according to the installation guide.

Floor support under bath must provide for a minimum of 50 lbs/square foot (242 kg/square meter) loading.

Hot water supply should be 70% of capacity or greater. Installations will vary.

Fixture conforms to ANSI Standards Z124.1.2. All dimensions are nominal.



No change in measurement if connected with drain illustrated. (K-7272)

Blower Motor/Control Access
30" (76.2 cm) W x
15" (38.1 cm) H Min

