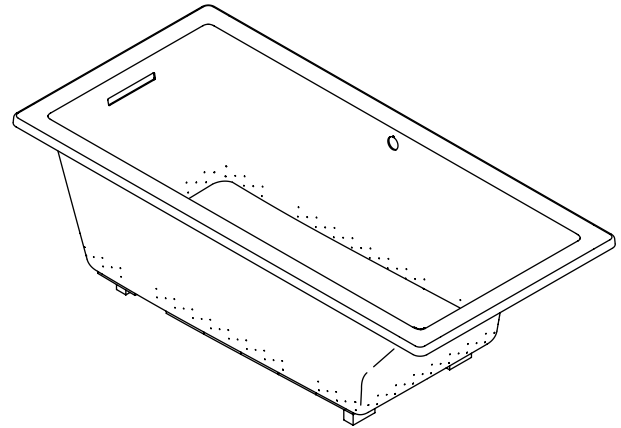


Features

- Acrylic
- Drop-in or undermount installation
- Blower motor with 300 W heater and electronic back-lit user control
- 122 BubbleMassage™ airjets
- With Zones of Control™ feature
- Available with chromatherapy [-GCR]
- 66" (167.6 cm) x 32" (81.3 cm) x 22" (55.9 cm)

BUBBLEMASSAGE™ BATH K-1822-G ALSO K-1822-GCR



Codes/Standards Applicable

Specified model meets or exceeds the following:

- ASME A112.19.7M
- ANSI Z124.1.2
- CSA B45.0
- CSA B45.5
- ASTM E162
- ASTM E662
- UL 1795

Colors/Finishes

- 0: White
- Other: Refer to Price Book for additional colors/finishes

Specified Model

Model	Description	Colors/Finishes	
K-1822-G	BubbleMassage bath – without chromatherapy (shown)	<input type="checkbox"/> 0	<input type="checkbox"/> Other_____
K-1822-GCR	BubbleMassage bath – with chromatherapy	<input type="checkbox"/> 0	<input type="checkbox"/> Other_____

Required Accessories			
K-7271	Clearflo slotted overflow brass bath drain OR	<input type="checkbox"/> CP	<input type="checkbox"/> PB <input type="checkbox"/> Other_____
K-7272	Clearflo slotted overflow bath drain – PVC pipe	<input type="checkbox"/> CP	<input type="checkbox"/> PB <input type="checkbox"/> Other_____

Optional Accessories					
K-550	Undermount kit				<input type="checkbox"/> NA
K-1491	Pillow	<input type="checkbox"/> 0			<input type="checkbox"/> Other_____
K-1601	Footstop	<input type="checkbox"/> 0			<input type="checkbox"/> Other_____
K-1703	Remote control				<input type="checkbox"/> NA
K-9498	3" (7.6 cm) whirlpool keypad trim		<input type="checkbox"/> CP	<input type="checkbox"/> PB	<input type="checkbox"/> Other_____

Product Specification

The acrylic BubbleMassage bath shall be 66" (167.6 cm) in length, 32" (81.3 cm) in width, and 22" (55.9 cm) in height. Bath shall be for drop-in or undermount installation. Bath shall have a blower motor with 300 W heater, and electronic back-lit user control. Bath shall have 122 BubbleMassage airjets. Bath shall be with Zones of Control™ feature. Bath shall be available with chromatherapy [-GCR]. Bath shall be Kohler Model K-1822-G-____ or K-1822-GCR-_____.

UNDERScore®

Technical Information

Fixture*:	
Bathing well:	
Basin area, bottom	44-1/2" (113 cm) x 22-5/16" (56.7 cm)
Basin area, top	59-5/8" (151.4 cm) x 25-1/2" (64.8 cm)
Weight	111 lbs (50 kg)
To overflow:	
Water depth	18" (45.7 cm)
Capacity	85.8 gal (325 L)
* Approximate measurements for comparison only.	

Drop-in cut-out	64-1/2" (163.8 cm) x 30-1/2" (77.5 cm)
-----------------	--

Blower motor/control:	Heater	V	Hz	A
	300 W	220-240	50/60	15

Required Electrical Service

Dedicated circuit required, protected with Class A Ground-Fault Circuit-Interrupter (GFCI) or Residual Current Device (RCD):

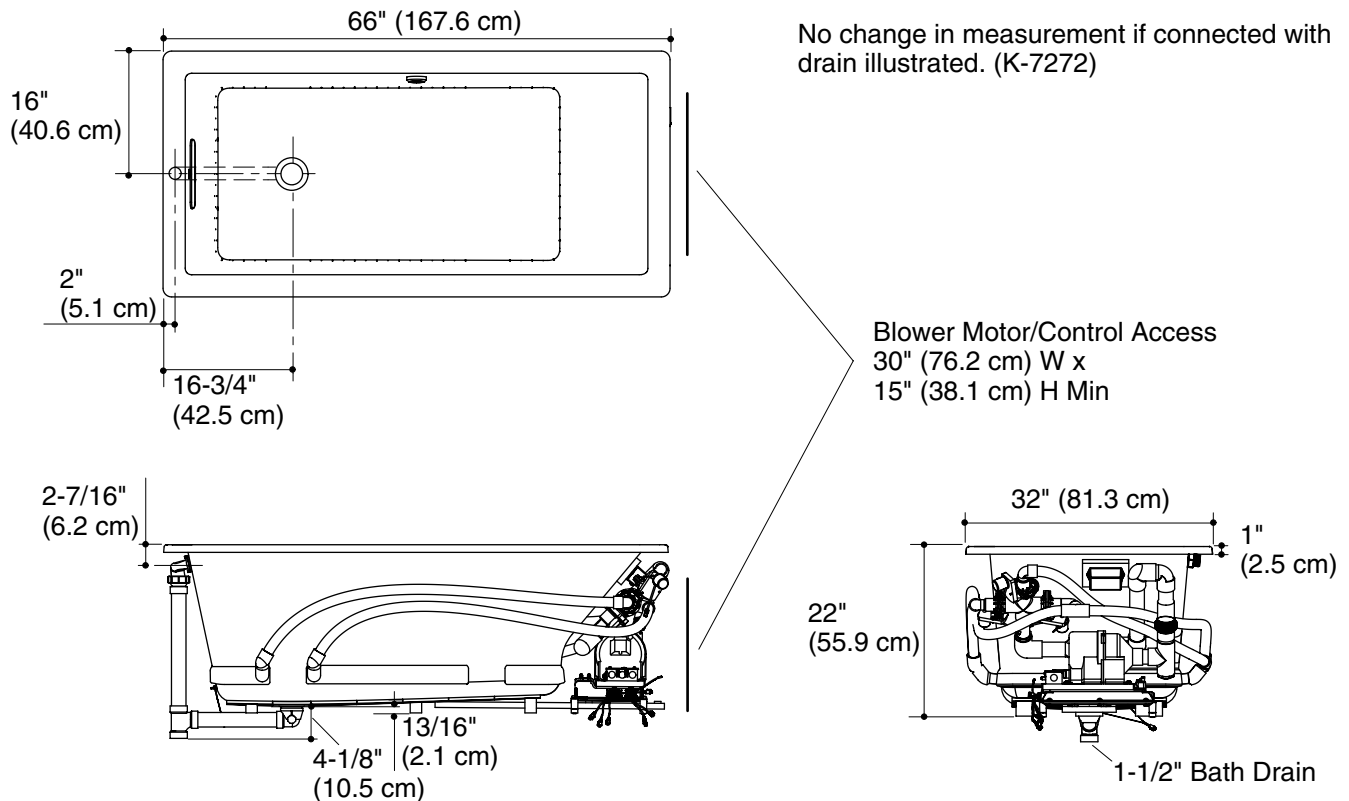
Blower motor/control:	220-240 V, 15 A, 50/60 Hz
-----------------------	---------------------------

Installation Notes

Install this product according to the installation guide.

Floor support under bath must provide for a minimum of 50 lbs/square foot (242 kg/square meter) loading.

Hot water supply should be 70% of capacity or greater. Installations will vary.



Product Diagram