

Features

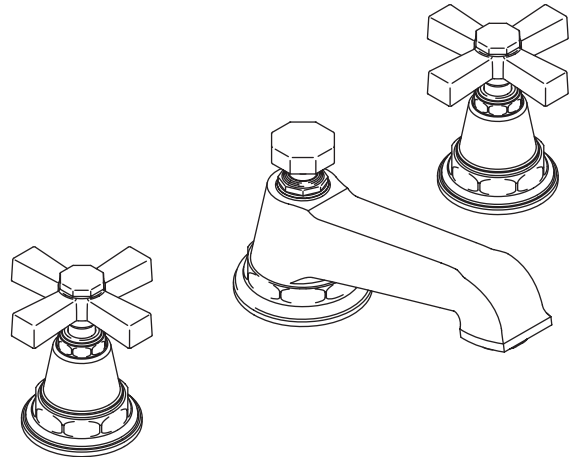
- Metal construction
- Brass valve bodies
- Reversible quarter-turn washerless ceramic disc valves
- 5" (12.7 cm) spout
- 2.2 gallons (8.3 L) per minute [max at 60 psi (4.14 bar)]
- Pop-up drain with lift rod and tailpiece
- Cross handles
- Flexible connections for easy installation

Codes/Standards Applicable

Specified model meets or exceeds the following:

- ASME A112.18.1
- CSA B125
- IAPMO/UPC
- NSF 61
- Energy Policy Act of 1992 (EPACT)



**WIDESPREAD LAVATORY FAUCET
K-13132**



Colors/Finishes

- CP: Polished Chrome
- Other: Refer to Price Book for additional colors/finishes

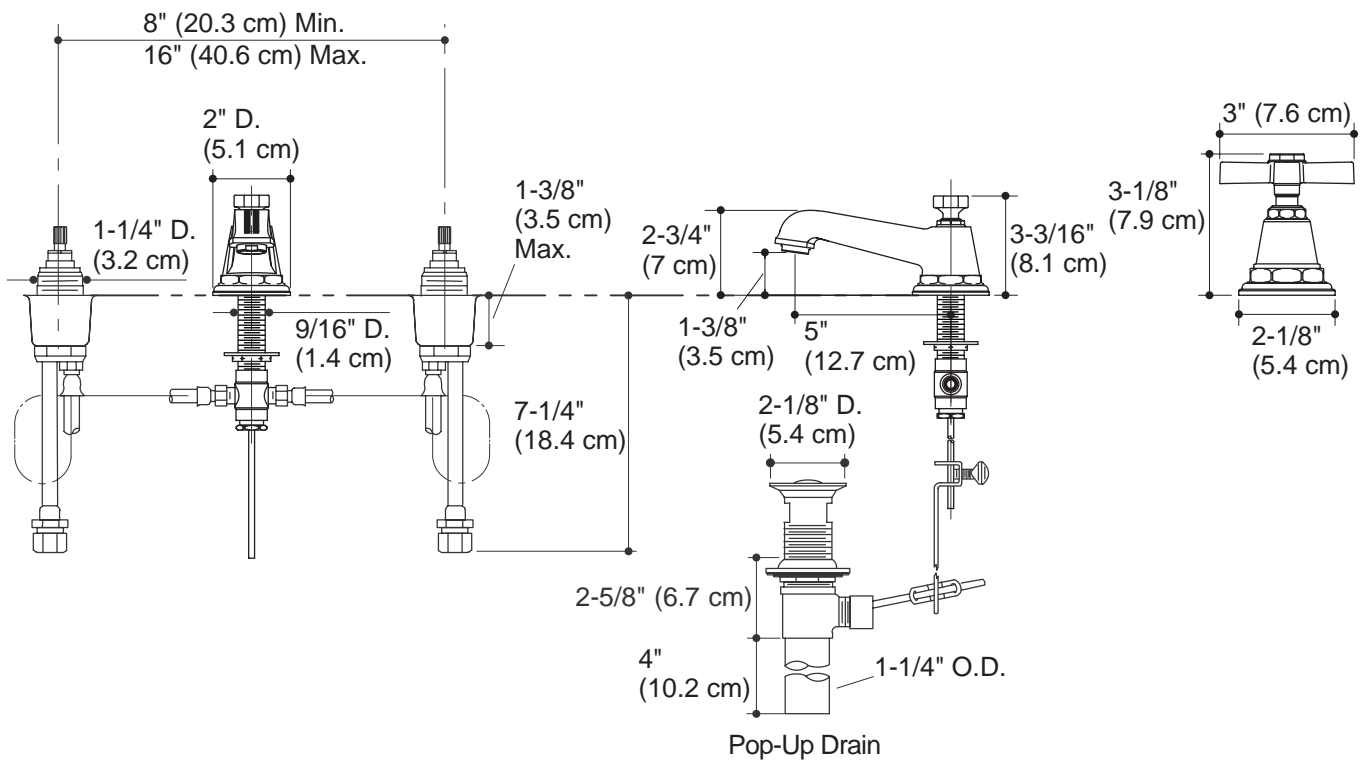
Specified Model

Model	Description		
K-13132-3A	Cross Handles without Grooves	<input type="checkbox"/> CP <input type="checkbox"/> Other _____	
K-13132-3B	Cross Handles with Grooves		<input type="checkbox"/> CP <input type="checkbox"/> Other _____

Product Specification

Two-handle widespread lavatory faucet shall be of metal construction. Faucet shall feature brass valve bodies. Faucet shall feature reversible quarter-turn washerless ceramic disc valves, assuring positive handle stop positioning. Product shall include flexible connections, 5" (12.7 cm) spout, pop-up drain with lift rod and tailpiece, and cross handles. Faucet shall be Kohler Model K-13132-_____-_____.

PINSTRIBE™



Product Diagram