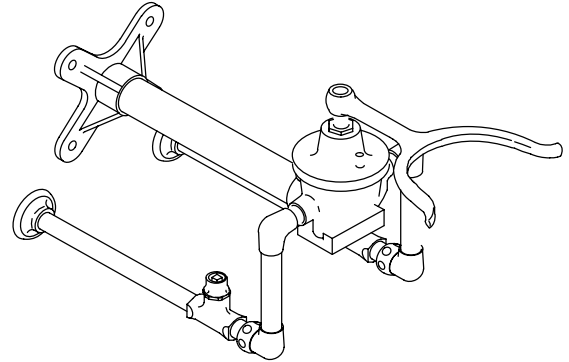


**KNEE CONTROL FITTING
K-13710**

FEATURES

- Brass construction
- Niedecken mixer
- Stirrup handle
- Loose key stops
- Wall flanges



CODES/STANDARDS APPLICABLE

Specified model meets or exceeds the following:

- ASME/ANSI A112.18.1M

COLORS/FINISHES

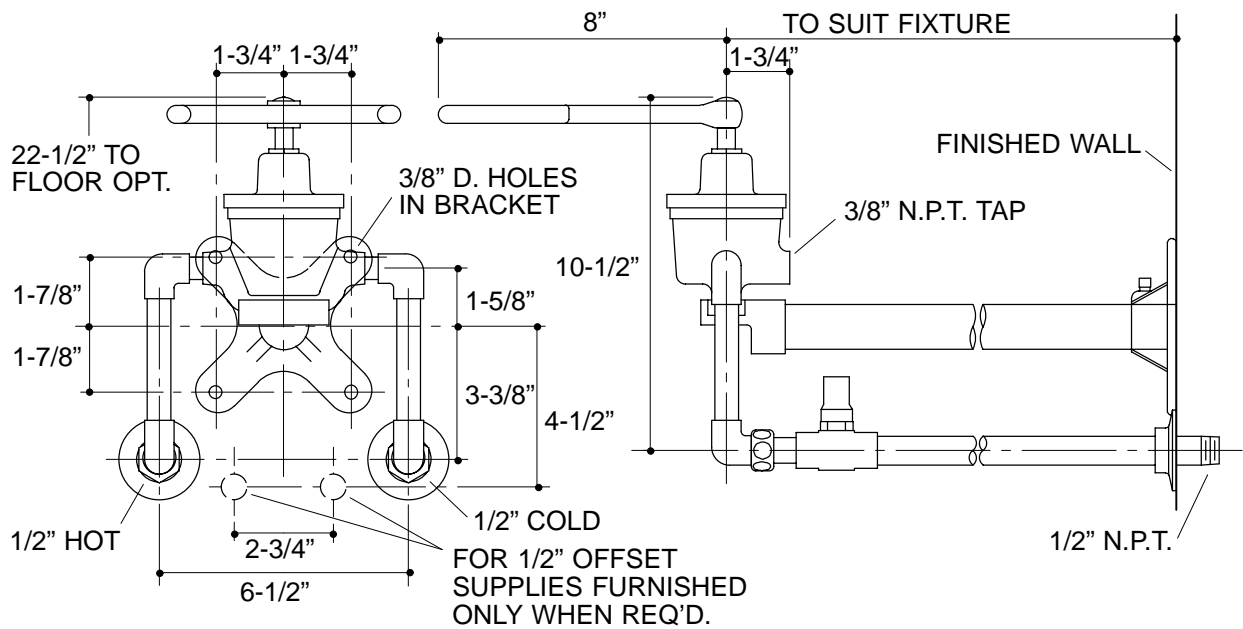
- CP Polished Chrome

SPECIFIED MODEL:

Model	For Fixture Similar To:	Size:	
K-13710-A	K-6552	13" x 13"	<input type="checkbox"/> CP
K-13710-B	K-2023	18" x 15"	<input type="checkbox"/> CP
K-13710-C	K-1728	19" x 17"	<input type="checkbox"/> CP
	K-12672	19" x 17"	
	K-5980	24" x 18"	
	K-3200	36"	
K-13710-D	K-2031	20" x 18"	<input type="checkbox"/> CP
	K-2869	20" x 18"	
	K-12643	20" x 18"	
K-13710-E	K-6652	22" x 20"	<input type="checkbox"/> CP
K-13710-F	K-2053	20" x 18"	<input type="checkbox"/> CP
	K-2044	24" x 20"	
	K-12644	24" x 20"	
	21" COUNTERTOP		
K-13710-G	K-12793	28" x 22"	<input type="checkbox"/> CP
K-13710-H	K-12784	24" x 22"	<input type="checkbox"/> CP
	K-12781	30" x 22"	<input type="checkbox"/> CP
K-13710-J	K-5966	24" x 21"	<input type="checkbox"/> CP
	K-5967	30" x 21"	
	K-5950	32" x 21"	
	25" COUNTERTOP		
K-13710-K	30" COUNTERTOP		<input type="checkbox"/> CP

PRODUCT SPECIFICATION:

Wall-mount knee control fitting shall be of brass construction. Product shall feature a Niedecken mixer, stirrup handle, loose key stops, N.P.T. connections, and wall flanges. Product shall be Kohler Model K-13710-____-CP.



316

PRODUCT DIAGRAM