

FEATURES

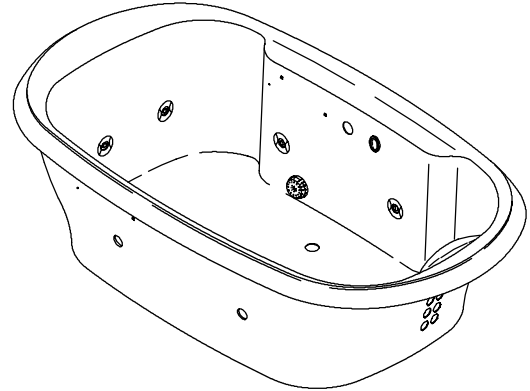
- 72" (182.9cm) x 42" (106.7cm) x 22" (55.9cm)
- Acrylic
- 2 hp variable speed pump with 1.5 kW heater, back-lit user keypad and remote control
- 6 Flexjets
- Ten color-matched sequencing Bodyssage™ backjets
- Two pulsating neckjets with pillow
- 240V, 20A electrical service
- UL Listed
- Drilled for K-9653 grip rails (required)
- Color-matched jet trim included
- Coordinating Revival™ Suite

CODES/STANDARDS APPLICABLE

Specified model meets or exceeds the following:

- ANSI Z124.1
- ASME/ANSI A112.19.7M
- IAPMO/UPC
- Underwriters Laboratories (UL)

6' EXPERIENCE BATH WHIRLPOOL WITH MASSAGE PACKAGE K-1375-LM/-RM



COLORS/FINISHES

- 0 White
- Other Refer to Fixtures Price Book for additional colors

Accessories:

- CP Polished Chrome
- PB Polished Brass
- Other Refer to Price Book for additional finishes

SPECIFIED MODEL:

Model	Description	Colors/Finishes	
K-1375-LM	Bath whirlpool with Massage Package, pump on left (shown)	<input type="checkbox"/> 0 White	<input type="checkbox"/> Other _____
K-1375-RM	Bath whirlpool with Massage Package, pump on right	<input type="checkbox"/> 0 White	<input type="checkbox"/> Other _____

Required Accessories				
K-9653	Grip rails (pair)	<input type="checkbox"/> CP	<input type="checkbox"/> PB	<input type="checkbox"/> Other _____
Recommended Accessories				
K-7161-AF	Drain	<input type="checkbox"/> CP	<input type="checkbox"/> PB	<input type="checkbox"/> Other _____
K-16122	Revival™ faucet OR	<input type="checkbox"/> CP	<input type="checkbox"/> PB	<input type="checkbox"/> Other _____
K-15880-K	Coralais™ base faucet (requires handle kit) OR	<input type="checkbox"/> CP	<input type="checkbox"/> PB	<input type="checkbox"/> Other _____
K-15881-K	Coralais™ base faucet (requires handle kit)	<input type="checkbox"/> CP	<input type="checkbox"/> PB	<input type="checkbox"/> Other _____
Optional Accessories				
K-1601	Footstop	<input type="checkbox"/> 0 White	<input type="checkbox"/> Other _____	

PRODUCT SPECIFICATION:

The bath whirlpool shall be 72" (182.9cm) in length, 42" (106.7cm) in width, and 22" (55.9cm) in height. Bath whirlpool shall be made of acrylic. Bath whirlpool shall have 6 Flexjets, 2 hp variable speed pump, 1.5 kW heater, back-lit user keypad and remote control. Bath whirlpool shall have 10 color-matched sequencing Bodyssage™ backjets and 2 pulsating neckjets with pillow. Bath whirlpool shall be UL listed. Bath whirlpool shall be drilled for K-9653 grip rails (required). Bath whirlpool shall coordinate with Revival™ Suite. Bath whirlpool shall be Kohler Model K-1375-_____-_____-_____.

PRODUCT INFORMATION

Fixture*:	basin area	top area	weight	
Bathing well	40" (101.6cm) x 27" (68.6cm)	61" (154.9cm) x 32" (81.3cm)	155 lbs. (70.3kg)	
	water depth	capacity		
To overflow	16" (40.6cm)	90 gal. (340.7L)		
* Approximate measurements for comparison only.				
Pump	Heater	Voltage	Frequency	Amperage
2 HP	1.5 kW	240 V	50/60 Hz	15 A

REQUIRED ELECTRICAL SERVICE

Dedicated circuit required, protected with Class A Ground-Fault Circuit-Interrupter (GFCI) or Earth-Leakage Circuit-Breaker (ELCB):

Pump/control	220/240 V, 20 A, 50/60 Hz
--------------	---------------------------

INSTALLATION NOTES

Pump/piping protrudes beyond rim (see below).

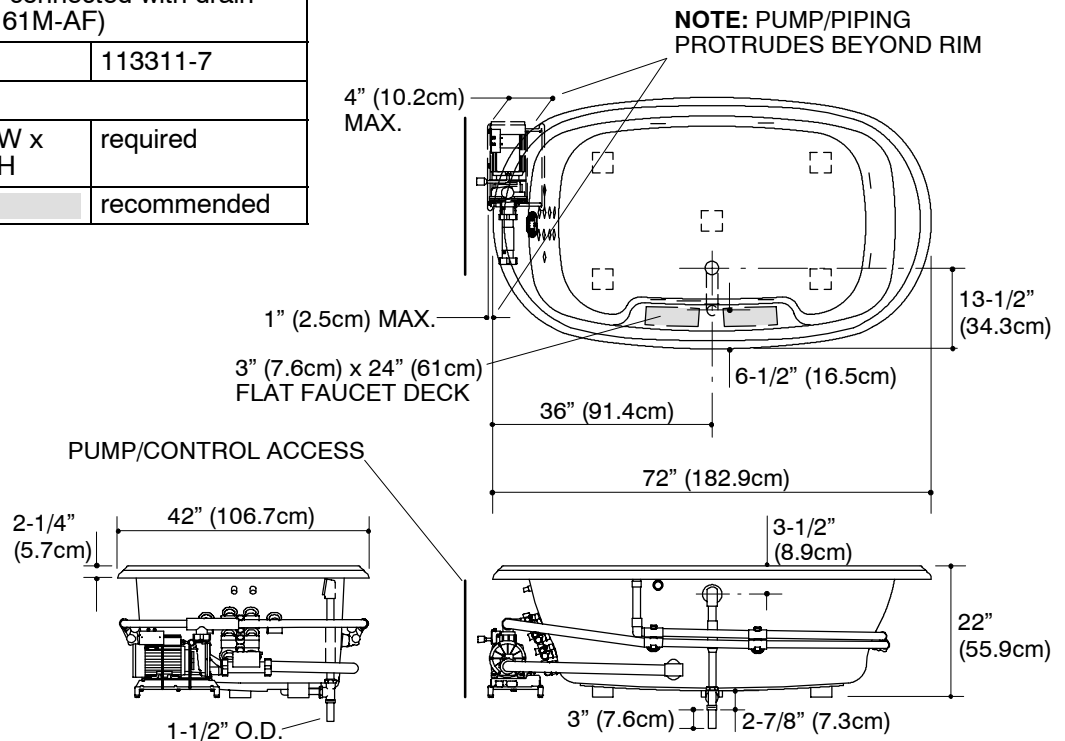
Install this product according to the installation guide.

Floor support under whirlpool must provide for a minimum of 1850 lbs. (839.1kg)

Hot water supply should be 70% of capacity or greater. Installations will vary.

If installing a rim mount faucet, make sure there is no interference with drain overflow and circulating system before drilling any holes. Consult local and national codes for minimum air gap requirements if installing a spout on the faucet deck.

No change in measurements if connected with drain illustrated. (K-7161-AF or K-7161M-AF)		
Cut-out template	113311-7	
Minimum access panel:		
Pump/control	34" (86.4cm) W x 15" (38.1cm) H	required
Faucet area		recommended



PRODUCT DIAGRAM