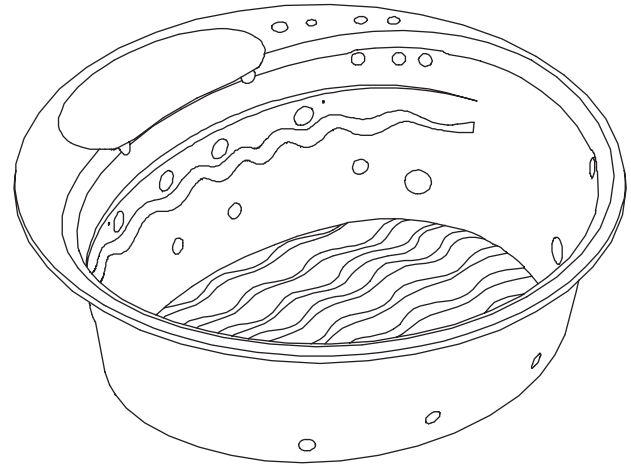


### Features

- Acrylic
- Integral fill and valves
- Two 2 hp variable speed pumps with back-lit user control and remote control
- 4 kW heater (on separate electrical service)
- 8 Flexjets™
- Waterfall
- 4 Riverjets
- 4 chromatherapy lights (H2 model only)
- Air aspiration "On/Off" feature
- Less all trim
- 75" (190.5 cm) D. x 25" (63.5 cm) high [27-1/2" (69.9 cm) high with pillow]
- One large pillow and three small pillows

### WHIRLPOOL K-1397-H2 ALSO K-1397-H3



### Codes/Standards Applicable

Specified model meets or exceeds the following:

- ANSI Z124.1
- Underwriter's Laboratories (UL)
- ASME A112.19.7M

### Colors/Finishes

- 0: White
- Other: Refer to Price Book for additional colors/finishes

### Accessories:

- CP: Polished Chrome
- PB: Polished Brass
- Other: Refer to Price Book for additional colors/finishes

### Specified Model

Model	Description	Colors/Finishes	
K-1397-H2	RiverBath™ with chromatherapy lights	<input type="checkbox"/> 0 White	<input type="checkbox"/> Other_____
K-1397-H3	RiverBath™ less chromatherapy lights	<input type="checkbox"/> 0 White	<input type="checkbox"/> Other_____

Required Accessories				
K-9398	Flexjet™ trim kit	<input type="checkbox"/> CP	<input type="checkbox"/> PB	<input type="checkbox"/> Other_____
K-T9540-4	Transfer valve trim, lever handle <b>OR</b>	<input type="checkbox"/> CP	<input type="checkbox"/> PB	<input type="checkbox"/> Other_____
K-T9540-7	Transfer valve trim, round handle	<input type="checkbox"/> CP	<input type="checkbox"/> PB	<input type="checkbox"/> Other_____
Varies	Handshower	<input type="checkbox"/> CP	<input type="checkbox"/> PB	<input type="checkbox"/> Other_____
Varies	Faucet handles	<input type="checkbox"/> CP	<input type="checkbox"/> PB	<input type="checkbox"/> Other_____

Recommended Accessory				
K-7167	Drain	<input type="checkbox"/> CP	<input type="checkbox"/> PB	<input type="checkbox"/> Other_____

### Product Specification:

The RiverBath shall be 75" (190.5 cm) in diameter and 25" (63.5 cm) in height [27-1/2" (69.9 cm) in height with pillow]. RiverBath shall be made of acrylic. RiverBath shall have integral fill and valves. RiverBath shall have 8 Flexjets, waterfall, 4 Riverjets, 4 chromatherapy lights (H2 model only), two 2 hp variable speed pumps, 4 kW heater, back-lit user control and remote control. RiverBath shall be UL listed. RiverBath shall be less all trim. RiverBath shall have air aspiration "On/Off" feature. RiverBath shall have one large pillow and three small pillows. RiverBath shall be Kohler Model K-1397-\_\_\_\_\_-\_\_\_\_\_.

# RIVERBATH™

## Technical Information

Fixture*:	basin area	top area	weight
Bathing well	61" (154.9 cm) x 46" (116.8 cm)	68" (172.7 cm) x 58" (147.3 cm)	290 lbs (132 kg)
	water depth	capacity	
To overflow	20" (50.8 cm)	215 gal (813.9 L)	

\* Approximate measurements for comparison only.

Pump: (Qty. 2)	Hp	Voltage	Frequency	Amps
Variable speed	2 hp	240 V	50/60 Hz	18 A

Included Components:	
Cutout template, top (drop-in)	1000554-7
Cutout template, bottom (drop-in)	1000555-7
Cutout template, top (flush-mount)	1000556-7
Cutout template, bottom (flush-mount)	1000557-7

## Required Electrical Service (2)

Two dedicated circuits required, each protected with Class A Ground-Fault Circuit-Interrupter (GFCI) or Earth-Leakage Circuit-Breaker (ELCB):	
Pump/control	220-240 V, 20 A, 50/60 Hz
Heater	220-240 V, 20 A, 50/60 Hz, 4 kW

## Installation Notes

Install this product according to the installation guide.

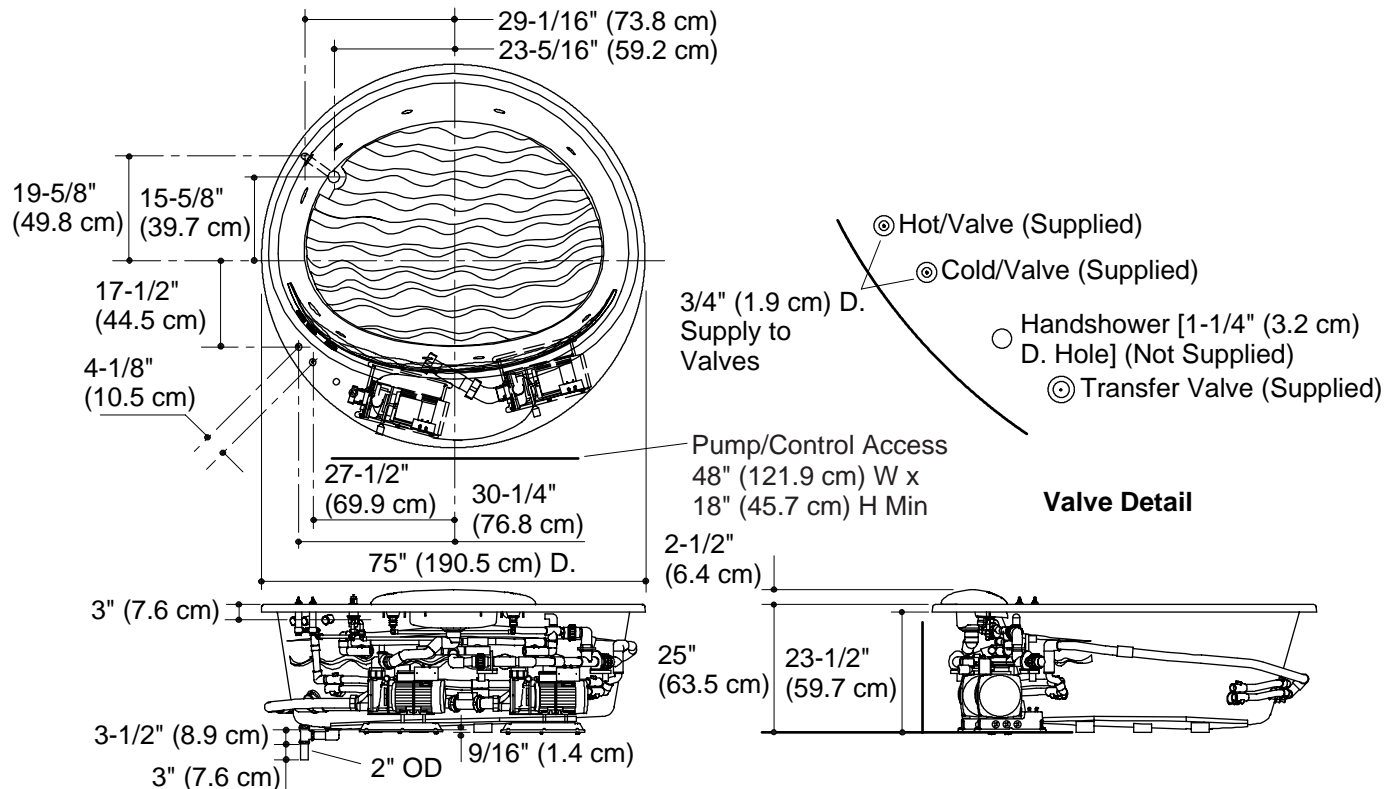
Two separate 240 V electrical services required; one for the pump/control, and another for the heater.

Floor support under whirlpool must provide for a minimum of 2500 lbs (1134 kg).

Hot water supply should be 70% of capacity or greater. Installations will vary.

Consult local and national codes for minimum air gap requirements if installing a spout on the faucet deck other than that supplied.

No change in measurements with drain shown. (K-7167 or K-7167M)



## Product Diagram