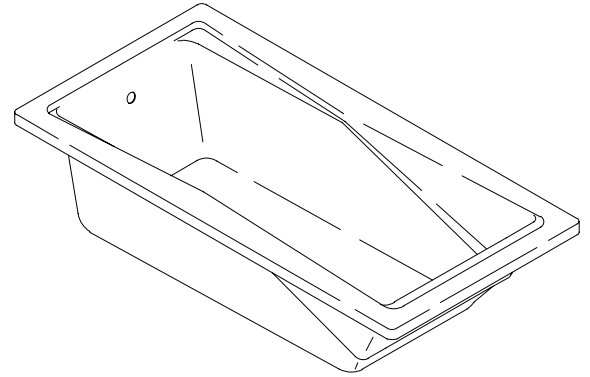


K-1510-X

FEATURES

- 60" x 30" x 17"
- Acrylic
- Optional K-1279 front apron



CODES/STANDARDS APPLICABLE

Specified model meets or exceeds the following:

- ANSI Z124.1
- IAPMO/UPC
- Canadian Standards Association (CSA)
- State of Massachusetts
- Dade County, Florida
- City of Los Angeles, CA

COLORS/FINISHES

- 0 White
- Other Refer to Fixtures Price Book for additional colors

Accessories:

- CP Polished Chrome
- PB Polished Brass
- Other Refer to Faucets Price Book for additional finishes
- NA None Applicable

SPECIFIED MODEL:

Model	Description	Colors/Finishes		
K-1510-X	Bath	<input type="checkbox"/> 0 White	<input type="checkbox"/> Other_____	
Recommended Accessories				
K-7161-AF	Drain	<input type="checkbox"/> CP	<input type="checkbox"/> PB	<input type="checkbox"/> Other_____
Optional Accessories				
K-1279	Apron (removable)	<input type="checkbox"/> 0 White	<input type="checkbox"/> Other_____	
K-1177	Vinyl tiling-in bead (use when wall material contacts any top surface of bath)	<input type="checkbox"/> NA		

PRODUCT SPECIFICATION:

The bath shall be 60" in length, 30" in width, and 17" in height. Bath shall be made of acrylic. Bath shall have optional K-1279 front apron. Bath shall be Kohler Model K-1510-X-_____.

HOURGLASS™

PRODUCT INFORMATION

Fixture*:	basin area	top area	weight
Bathing well	42" x 17"	55" x 25"	60 lbs.
	water depth	capacity	
To overflow	12-1/8"	50 gal.	

* Approximate measurements for comparison only.

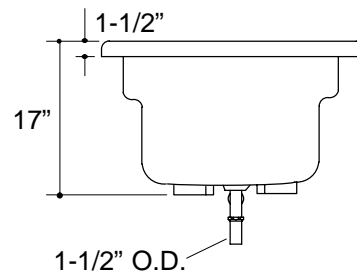
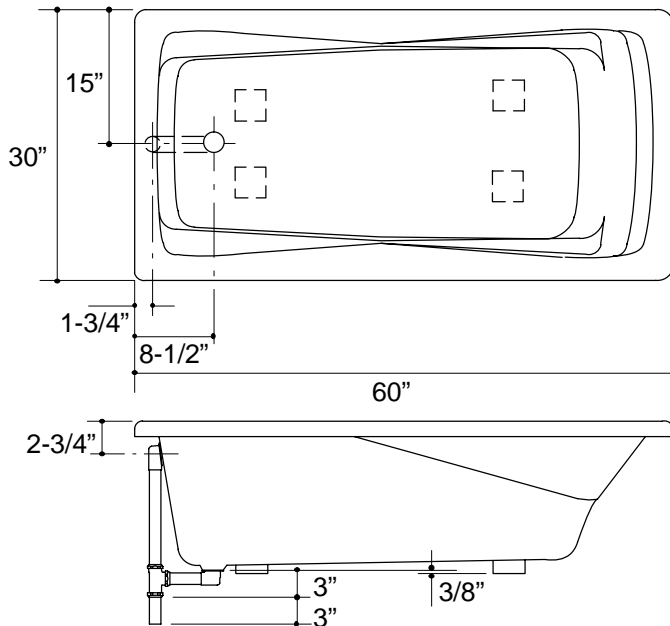
INSTALLATION NOTES

The apron must be installed before the finish floor and wall materials are installed.

Roughing-In Notes

No change in measurements if connected with drain illustrated.

Cut-out	58-1/2" x 28-1/2"
---------	-------------------



364

PRODUCT DIAGRAM