

## TOOLS AND MATERIALS REQUIRED:

- Thinset Mortar, Silicone or Construction Adhesive; Sand-Portland Cement Grout
- Tools common to masonry

## INSTALLATION:

The Vintage Ceramic Floor Rail is for use with a free-standing Vintage Bath. However, the bath must be installed per K-700 Vintage Bath Installation Instructions before the ceramic floor rails.

**! ► CAUTION: The bath must be supported by the cast iron K-1172 legs, not the ceramic floor rails.** Please see Vintage Bath Installation Instructions for proper leg adjustment procedure.

Also, It is recommended that the flooring and the plumbing be completed before the installation of the floor rail. The bath should be leveled at a height that provides clearance between the top of the ceramic floor rail and bottom of the bath.

- 1. Position Floor Rails on Site.** Position floor rails so there is an equal space between bath skirt and all eight floor rails. The ends of each floor rail are connected by a 1/8" grout joint. The eight curved floor rails are identical, so their order of installation is not critical.
- 2. Create Floor Rail Template.** Trace the outside edge of each floor rail with a pencil. Mark location of joints with a line that extends beyond the traced outside edge of each floor rail. Remove floor rails. Measure in 3-3/4" from traced outside edge and mark another line. This will establish the area in which the floor rails will be located.
- 3. Application of Adhesive to Floor Surface/Floor Rail Bottom.** Per manufacturer's instructions, apply adhesive to traced area on the floor or bottom surface of each floor rail. Apply adhesive to within 1" of outside edge of floor rail. This will avoid excess adhesive build up.
- 4. Set Floor Rails.** Using the pencilled lines as a guide, set the floor rails with adhesive. Press floor rails firmly to the floor. Height of all floor rails should be consistent. Clean up excess adhesive and let dry.
- 5. Apply Grout to Joints.** Per manufacturer's instructions, apply sanded-grout to 1/8" grout joints. When dry, clean floor rails with a non abrasive cleaner.

**NOTE: Sand-Portland Cement Grout (sanded-grout) is recommended.**

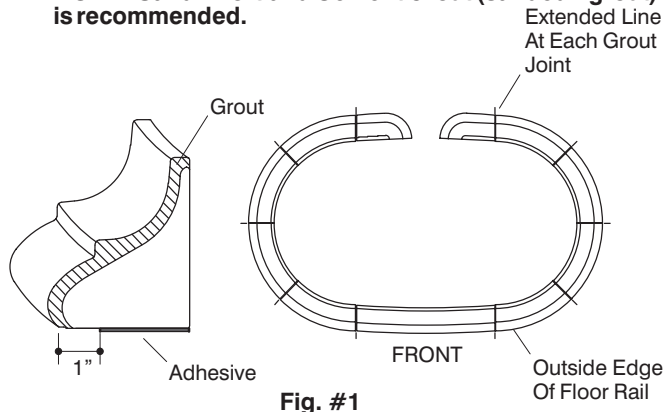


Fig. #1

## IMPORTANT CONSUMER INFORMATION

Please take a moment to familiarize yourself with the Kohler Warranty, its benefits, and limitations. Kohler Co. and its distributors support you with one of the largest Service Networks of its type. Here's what you need to do if you require service:

**FIRST:** Contact the dealer or contractor who sold and installed the product. They should be able to solve any problems you may have.

**SECOND:** If your dealer or contractor cannot solve the problem, they will contact or supply you with the name of the local Kohler Distributor and the:



KOHLER TECHNICAL SPECIALIST

**THIRD:** If you are unable to obtain warranty service through either your contractor or Kohler Co. distributor, please write us directly at Kohler Co., Attn: Customer Service Department, 444 Highland Drive, Kohler, WI 53044 U.S.A.

**FOURTH:** Include all pertinent information regarding your claim, including a complete description of the product, model numbers, colors, finishes, and the date the product was installed. Include a description of the problem, and a photocopy of your invoice for the products involved. Also give us the name of the contractor and distributor.

Kohler Co. Consumer Affairs Kohler, Wisconsin 53044

## IMPORTANT CONSUMER INFORMATION

### LIMITED ONE-YEAR WARRANTY

Kohler plumbing fixtures and fittings are warranted free of manufacturing defects.

Kohler Co. will, at its election repair, replace, or make appropriate adjustment where Kohler Co. inspection disclosed any such defects occurring in normal usage within one year after installation. **Kohler Co. is not responsible for installation costs.**

To obtain warranty service, contact Kohler Co. either through your Dealer or Plumbing Contractor or by writing Kohler Co., Attn: Customer Service Department, 444 Highland Drive, Kohler, WI 53044 U.S.A., or by calling 1-800-4-KOHLER from within the U.S.A.

**Implied warranties, including that of merchantability and fitness for a particular purpose, are expressly limited in duration to the duration of this warranty. To the extent permitted by law, Kohler Co. disclaims all implied warranties including merchantability and fitness for a particular purpose. Kohler Co. disclaims any liability for special, incidental, or consequential damages.**

Some states do not allow limitations on how long an implied warranty lasts or the exclusion or limitation of incidental or consequential damages, so this limitation and exclusion may not apply to you. This warranty gives you specific legal rights. You may also have rights which vary from state to state.

This is our exclusive written warranty.

KOHLER CO., KOHLER, WISCONSIN 53044

### CARE AND CLEANING FOR YOUR NEW KOHLER CERAMIC FLOOR RAILS.

Do not use harsh abrasive cleaners or you may scratch the glass-like glazed surface.