

**Features**

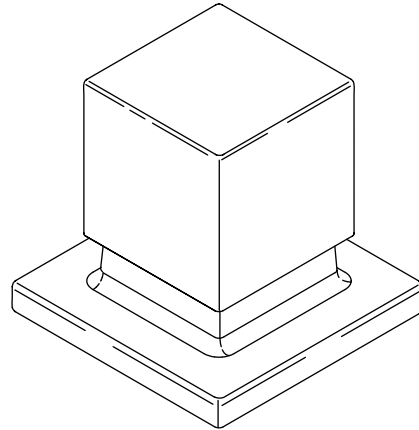
- Bath- or deck-mount
- Two-way brass diverter valve
- Diverter valve has backflow protection

**Codes/Standards Applicable**

Specified model meets or exceeds the following:

- ASSE 1014
- ASSE 1025
- ASME 112.18.1/CSA B125

**TWO-WAY DIVERTER VALVE  
K-14677**



**Colors/Finishes**

- CP: Polished Chrome
- Other: Refer to Price Book for additional colors/finishes

**Specified Model**

| Model   | Description            | Colors/Finishes             |                                      |
|---------|------------------------|-----------------------------|--------------------------------------|
| K-14677 | Two-way Diverter Valve | <input type="checkbox"/> CP | <input type="checkbox"/> Other _____ |

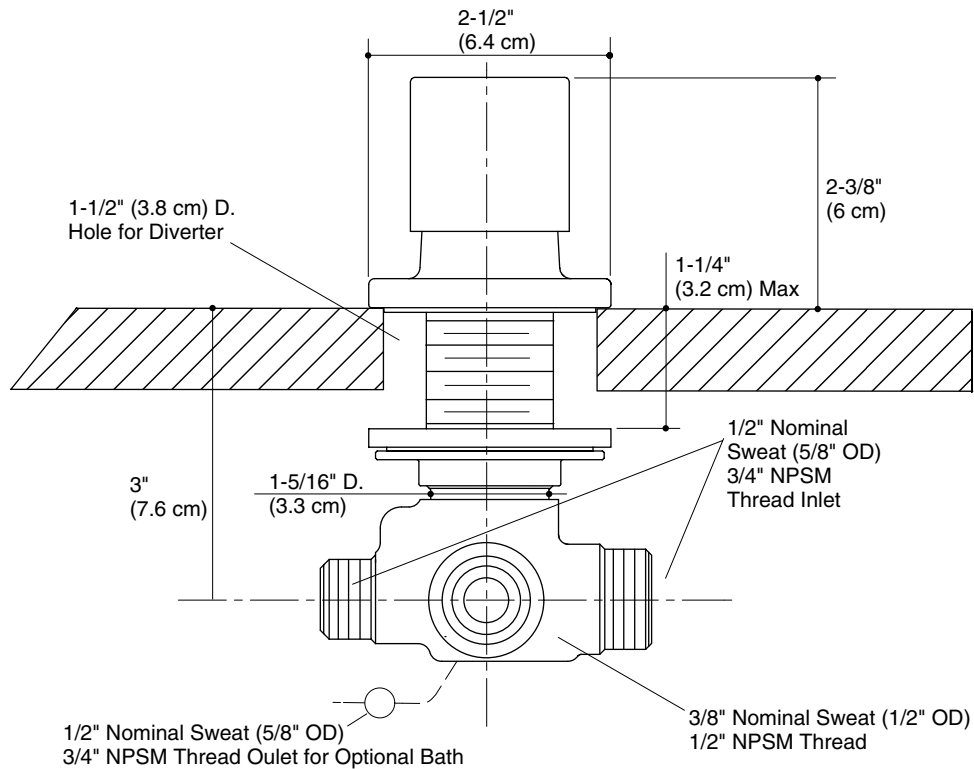
**Product Specification**

Two-way diverter valve shall be bath- or deck-mount. Diverter valve shall feature brass-construction. Diverter valve shall have backflow protection. Product shall be Kohler Model K-14677-\_\_\_\_\_.

## Installation Notes

Install this product according to the installation guide.

Diverter valve has backflow protection.



## Product Diagram

TWO-WAY DIVERTER VALVE

Page 2 of 2  
1138924-4-A

THE BOLD LOOK  
OF **KOHLER**