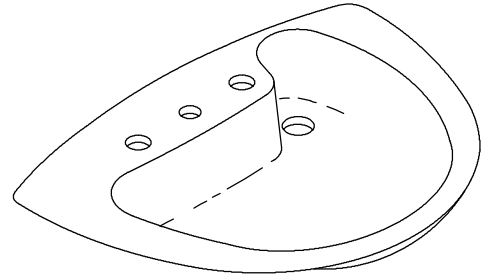


FEATURES

- 26-1/4" (66.7cm) x 20-1/8" (51.1cm) with 3" (7.6cm) overhang
- Vitreous china
- Self-rimming
- 4" (10.2cm) centers (K-2098-4), 8" (20.3cm) centers (K-2098-8) or single-hole (K-2098-1) drilling
- With overflow
- With sealant



CODES/STANDARDS APPLICABLE

Specified model meets or exceeds the following:

- ADA
- ASME/ANSI A112.19.2M
- CABO/ANSI A117.1
- IAPMO/UPC
- Canadian Standards Association (CSA)

COLORS/FINISHES

- 0 White
- Other Refer to Price Book for additional colors

Accessories:

- A-NA White

SPECIFIED MODEL:

Model	Description	Colors/Finishes	
K-2098-4	4" (10.2cm) centers lavatory	<input type="checkbox"/> 0 White	<input type="checkbox"/> Other _____
K-2098-8	8" (20.3cm) centers lavatory	<input type="checkbox"/> 0 White	<input type="checkbox"/> Other _____
K-2098-1	Single-hole lavatory	<input type="checkbox"/> 0 White	<input type="checkbox"/> Other _____
Optional Accessories			
K-6543	36" (91.4cm) Removable shroud	<input type="checkbox"/> A-NA	

PRODUCT SPECIFICATION:

The self-rimming lavatory shall be 26-1/4" (66.7cm) in length, and 20-1/8" (51.1cm) in width, with 3" (7.6cm) overhang at front of counter. Lavatory shall be made of vitreous china. Lavatory shall have 4" (10.2cm) centers (K-2098-4), 8" (20.3cm) centers (K-2098-8), or single-hole (K-2098-1) drilling. Lavatory shall have overflow. Lavatory shall include sealant. Lavatory shall be Kohler Model K-2098-_____-_____.

INVITATION™

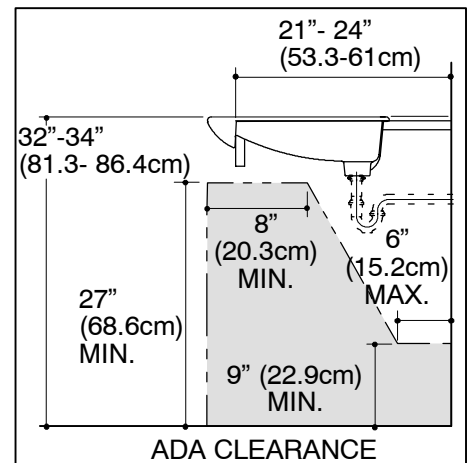
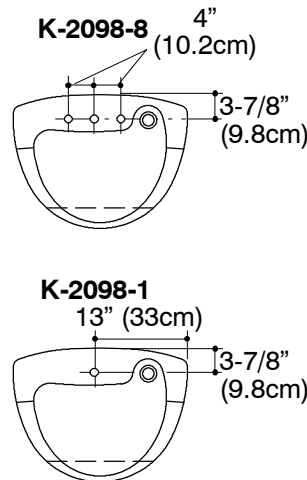
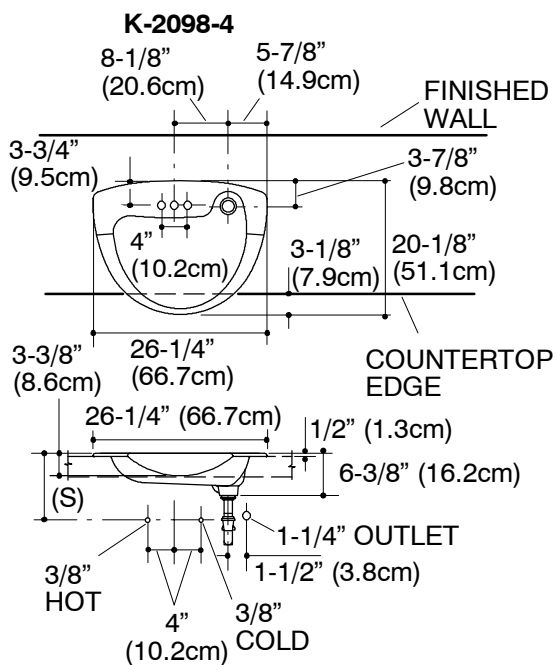
PRODUCT INFORMATION

ADA compliant.			
Fixture*:		basin area	water depth
Lavatory		20" (50.8cm) x 13" (33cm)	3-1/4" (8.3cm)
Outlet	1-3/4" D. (4.4cm)		
* Approximate measurements for comparison only.			
Holes	K-2098-4	K-2098-8	K-2098-1
Spout	1-1/4" D. (3.2cm)	1-3/8" D. (3.5cm)	1-3/8" D. (3.5cm)
Faucet	1-1/4" D. (3.2cm)	1-3/8" D. (3.5cm)	
Included Components:			
Adhesive sealant			63034
Cutout template			113500
(S) Supply (Based on 12" (30.5cm) riser which may require cutting).		K-2098-4, K-2098-1	K-2098-8
		10" (25.4cm)	14" (35.6cm)

INSTALLATION NOTES

Install this product according to the installation guide.

NOTICE: Countertop manufacturer or cutter **must** use the cutout template provided with the product, or a current one provided by Kohler (call 1-800-43-FOCUS). Kohler is not responsible for cutout errors when the incorrect cutout template is used.



PRODUCT DIAGRAM