

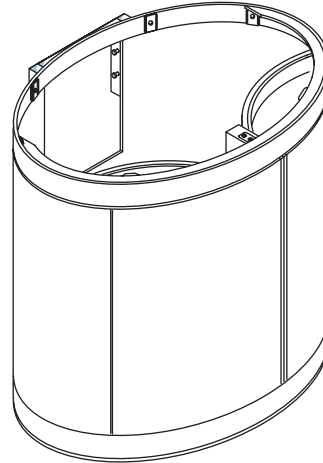
Features

- Made of solids and engineered veneers
- Catalyzed polyurethane finish
- Wall-hung installation
- Polished stainless steel finish detail
- 24-3/4" (62.9 cm) x 18-3/4" (47.6 cm) x 18" (45.7 cm)

Codes/Standards Applicable

Specified model meets or exceeds the following:

- ATCM 93120-93120.12 title 17 code of regulations
- ANSI/KCMA A 161.1



Colors/Finishes

- LAW: Light Antique Walnut
- 0: White
- CP: Polished Chrome
- NA: None applicable
- Other: Refer to Price Book for additional colors/finishes

Specified Model

Model	Description	Colors/Finishes	
K-2392	Vanity	<input type="checkbox"/> LAW	
Recommended Lavatory			
K-2952	Lavatory	<input type="checkbox"/> 0	<input type="checkbox"/> Other_____
Recommended Mirror Cabinet			
K-2962	Oval mirror cabinet – 20" (50.8 cm) x 31" (78.7 cm)		<input type="checkbox"/> NA
Recommended Faucet Trim			
K-T197	Falling Water® wall-mount lavatory faucet trim	<input type="checkbox"/> CP	<input type="checkbox"/> Other_____
K-T198	Falling Water® wall-mount lavatory faucet trim	<input type="checkbox"/> CP	<input type="checkbox"/> Other_____
K-T10087-9	Oblo® two-handle wall-mount lavatory faucet trim	<input type="checkbox"/> CP	<input type="checkbox"/> Other_____
K-T14414-3	Purist® two-handle wall-mount lavatory faucet trim	<input type="checkbox"/> CP	<input type="checkbox"/> Other_____
K-T14414-4	Purist® two-handle wall-mount lavatory faucet trim	<input type="checkbox"/> CP	<input type="checkbox"/> Other_____

Product Specification

The vanity shall be 24-3/4" (62.9 cm) in width, 18-3/4" (47.6 cm) in depth, and 18" (45.7 cm) in height. Product shall be made of solids and engineered veneers with a catalyzed polyurethane finish. Product shall feature polished stainless steel finish detail. Vanity shall be for wall-hung installation. Vanity shall be Kohler Model K-2392-_____.

STRELA™

Recommended Faucet Trim continued

K-T14416-3	Purist® two-handle wall-mount lavatory faucet trim	<input type="checkbox"/> CP	<input type="checkbox"/> Other _____
K-T14416-4	Purist® two-handle wall-mount lavatory faucet trim	<input type="checkbox"/> CP	<input type="checkbox"/> Other _____
K-T14417-3	Purist® two-handle wall-mount lavatory faucet trim	<input type="checkbox"/> CP	<input type="checkbox"/> Other _____
K-T14417-4	Purist® two-handle wall-mount lavatory faucet trim	<input type="checkbox"/> CP	<input type="checkbox"/> Other _____

Installation Notes



WARNING: Risk of property damage. Do not modify the vanity in any way. Doing so will compromise the structural stability of the vanity.



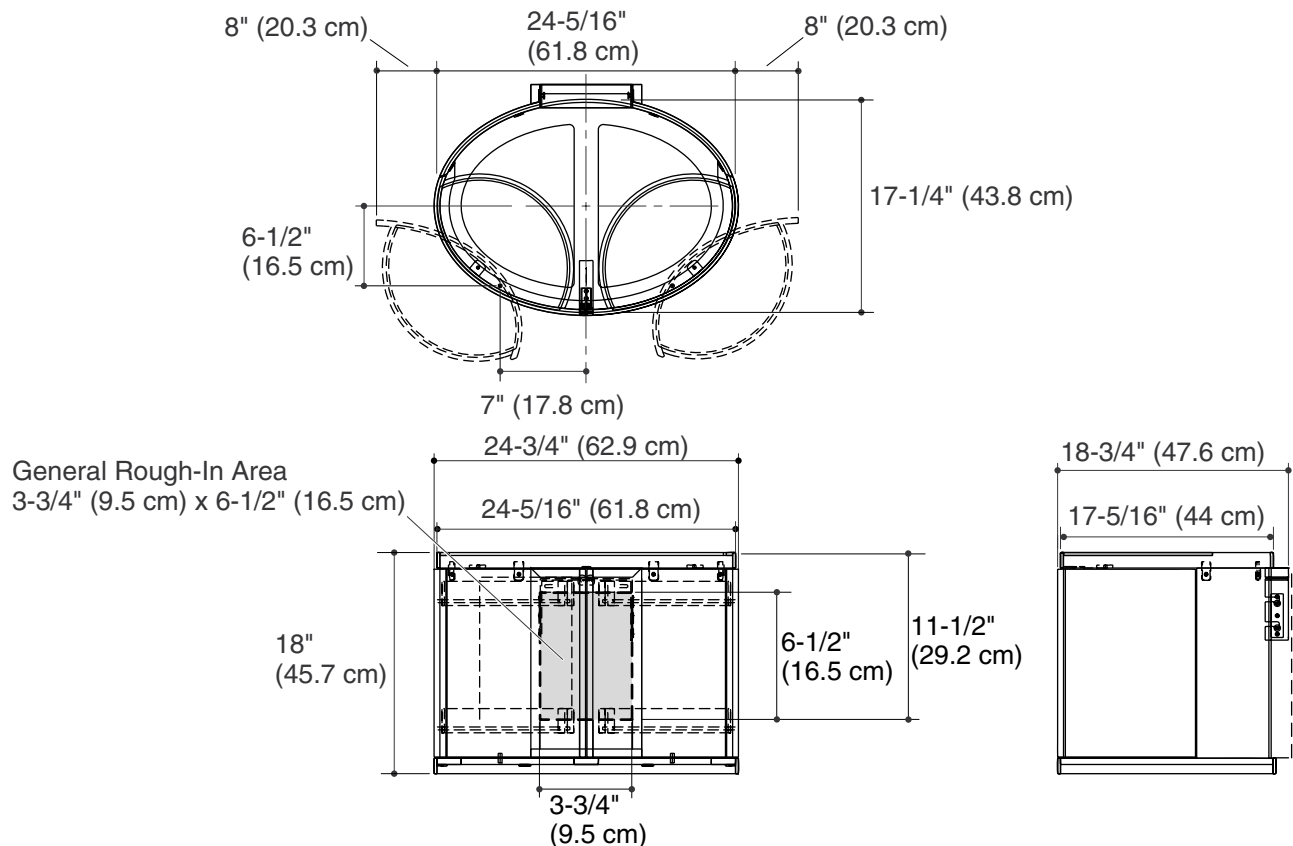
WARNING: Risk of property damage. Select lag bolts with a minimum of 500 lb (227 kg) load bearing and 5/16" (8 mm) diameter washers. Select lag bolts with a length that can safely clear any obstacles in the wall. Calculate the proper length of the lag bolts by adding the following: 1-1/2" (3.8 cm) backing material + finished wall thickness + hanger thickness.

NOTICE: If installing a lavatory: The plumbing must be roughed into the plumbing cutout area of the vanity. Refer to the lavatory/vessel roughing-in and the vanity roughing-in for proper placement. The water supply and drain lines must be installed before installing the vanity.

NOTICE: Allow 8" (20.3 cm) of clearance on both sides of the vanity to allow the door swing open.

Install this product according to the installation guide.

Refer to the installation guide for the recommended mounting height.



Product Diagram