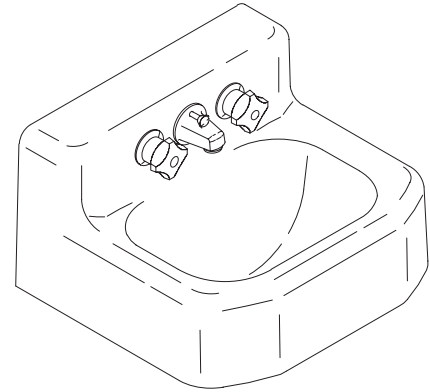


WALL-MOUNT LAVATORY

K-2753

FEATURES

- 13" (33cm) x 13" (33cm)
- Cast iron
- Wall-mount
- Shelf-back
- With overflow
- Factory installed K-8046-2A Triton faucet with grid drain, aerator
- Less K-8046-2A Triton faucet (-EH)



CODES/STANDARDS APPLICABLE

Specified model meets or exceeds the following:

- ASME/ANSI A112.19.1M
- IAPMO/UPC
- Canadian Standards Association (CSA)

COLORS/FINISHES

- 0 White

SPECIFIED MODEL:

Model	Description	Colors/Finishes
K-2753	Wall-mount lavatory with faucet	<input type="checkbox"/> 0 White
K-2753-EH	Wall-mount lavatory less faucet	<input type="checkbox"/> 0 White

PRODUCT SPECIFICATION:

The shelf-back, wall-mount lavatory shall be 13" (33cm) in length, and 13" (33cm) in width. Lavatory shall be made of cast iron. Lavatory shall have overflow. Lavatory shall have factory installed K-8046-2A Triton lavatory faucet with grid drain, aerator, or be less faucet (-EH). Lavatory shall be Kohler Model K-2753-_____-_____.

TRAILER™

PRODUCT INFORMATION

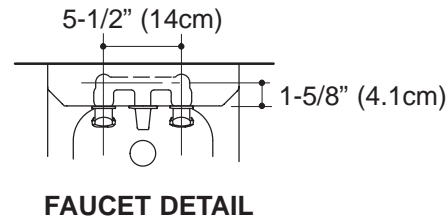
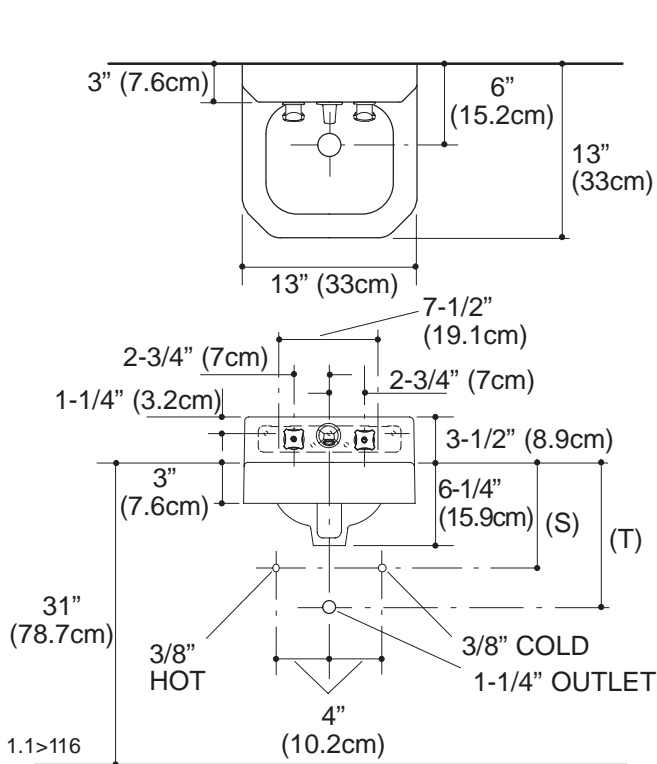
Fixture*:		basin area	water depth
Lavatory		10" (25.4cm) x 8" (20.3cm)	3" (7.6cm)
Drain hole	1-11/16" D. (4.3cm)		
* Approximate measurements for comparison only.			

Holes	K-2753		
Spout	1-1/2" D. (3.8cm)		
Faucet	1-3/16" D. (3cm)		

Included Components:	
Triton faucet	K-8046-2A
Hanger (1)	64508
Overflow ferrule (1)	44071

INSTALLATION NOTES

Install this product according to the installation guide.
Pop-up drain cannot be used on this lavatory.



(T) Drain 11" (27.9cm)
(S) 8" (20.3cm) (Based on 12" (30.5cm) riser which may require cutting).

PRODUCT DIAGRAM