

LAVATORY K-2955

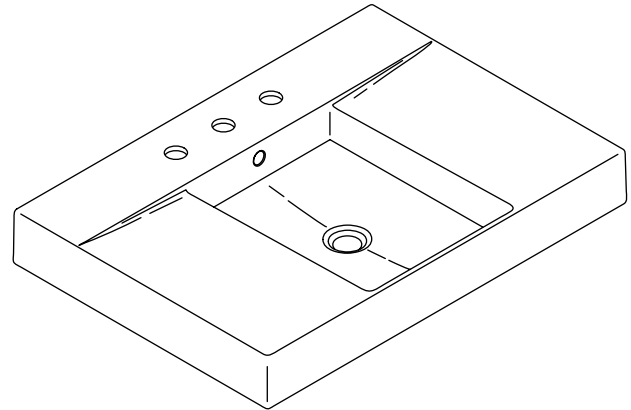
Features

- Fireclay
- Countertop installation
- With overflow
- 8" (20.3 cm) centers (-8), 4" (10.2 cm) centers (-4), single-hole (-1), or no holes
- Also installs to K-2517 vanity
- 30-1/2" (77.5 cm) x 21-1/2" (54.6 cm)

Codes/Standards Applicable

Specified model meets or exceeds the following:

- ASME A112.19.9M
- IAPMO/cUPC
- CSA B45.0
- CSA B45.1



Colors/Finishes

- 0: White
- Other: Refer to Price Book for additional colors/finishes

Accessories:

- CP: Polished Chrome
- Other: Refer to Price Book for additional colors/finishes

Specified Model

Model	Description	Colors/Finishes	
K-2955	Lavatory without faucet holes (for use with wall-mount faucet)	<input type="checkbox"/> 0	<input type="checkbox"/> Other_____
K-2955-1	Lavatory with single faucet hole	<input type="checkbox"/> 0	<input type="checkbox"/> Other_____
K-2955-4	Lavatory with 4" (10.2 cm) centers	<input type="checkbox"/> 0	<input type="checkbox"/> Other_____
K-2955-8	Lavatory with 8" (20.3 cm) centers	<input type="checkbox"/> 0	<input type="checkbox"/> Other_____
Recommended Accessories			
K-8998	P-Trap	<input type="checkbox"/> CP	<input type="checkbox"/> Other_____

Product Specification

The countertop lavatory shall be 30-1/2" (77.5 cm) in length, and 21-1/2" (54.6 cm) in width. Lavatory shall be made of Fireclay. Lavatory shall have single-hole (K-2955-1), 4" (10.2 cm) centers (K-2955-4), 8" (20.3 cm) centers (K-2955-8) or no holes (K-2955). Lavatory also installs to K-2517 vanity. Lavatory shall be Kohler Model K-2955-_____-_____.

TRAVERSE™

Technical Information

Fixture*:	
Basin area	12" (30.5 cm) x 15-1/4" (38.7 cm)
Water depth	3" (7.6 cm)
Drain hole	1-3/4" (4.4 cm) D.
* Approximate measurements for comparison only.	

Holes	K-2955	K-2955-1	K-2955-4	K-2955-8
Spout	N/A	1-3/8" (3.5 cm) D.	1-1/4" (3.2 cm) D.	1-3/8" (3.5 cm) D.
Faucet	N/A		1-1/4" (3.2 cm) D.	1-3/8" (3.5 cm) D.

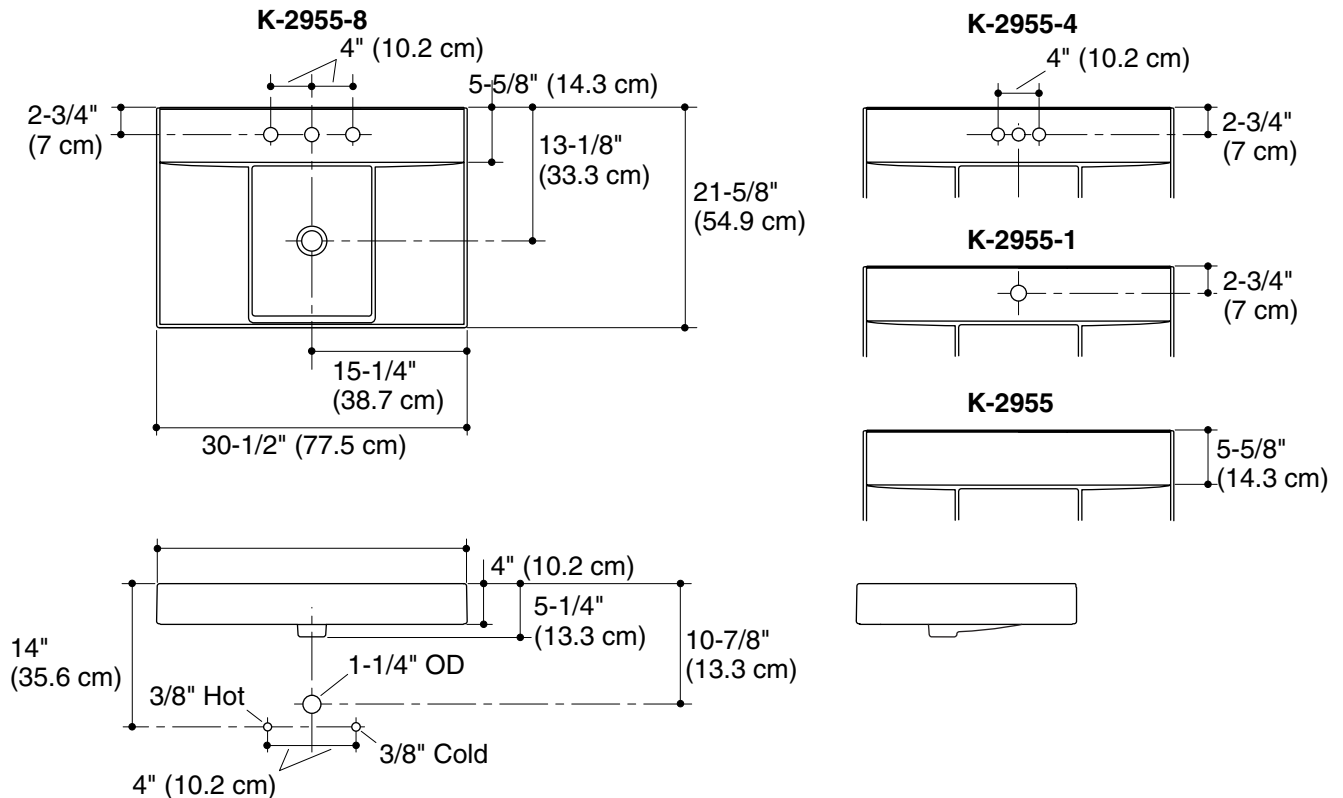
Included components:	
Cut-out template	1003676-7

Installation Notes

Install this product according to the installation guide.

NOTICE: Countertop manufacturer or cutter **must** use the cut-out template provided with the product, or a current one provided by Kohler (call 1-800-4-KOHLER). Kohler is not responsible for cutout errors when incorrect cut-out template is used.

NOTE: This lavatory is also designed for installation to the K-2517 vanity.



Product Diagram