

Features

- KOHLER cast iron
- Undercounter
- With overflow
- ADA compliant
- 21" (53.3 cm) x 16" (40.6 cm)

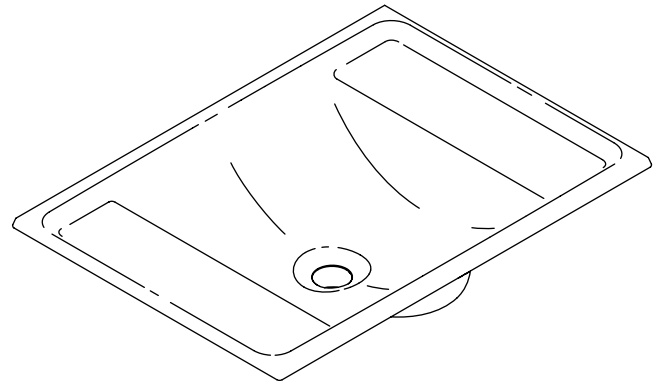
UNDERCOUNTER LAVATORY K-2838

ADA

Codes/Standards Applicable

Specified model meets or exceeds the following:

- ASME A112.19.1M
- IAPMO/UPC
- CSA B45
- ICC/ANSI A117.1
- ADA



Colors/Finishes

- 0: White
- Other: Refer to Price Book for additional colors/finishes

Accessories:

- CP: Polished Chrome
- Other: Refer to Price Book for additional colors/finishes

Specified Model

Model	Description	Colors/Finishes	
K-2838	Cast iron lavatory	<input type="checkbox"/> 0	<input type="checkbox"/> Other_____
Recommended Accessories			
K-8998	P-Trap	<input type="checkbox"/> CP	<input type="checkbox"/> Other_____

Product Specification

The undercounter lavatory shall be 21" (53.3 cm) in length and 16" (40.6 cm) in width. Lavatory shall be made of cast iron. Lavatory shall include overflow. Lavatory shall be ADA compliant when installed according to ADA guidelines. Lavatory shall be Kohler Model K-2838-_____.

LEDGES™

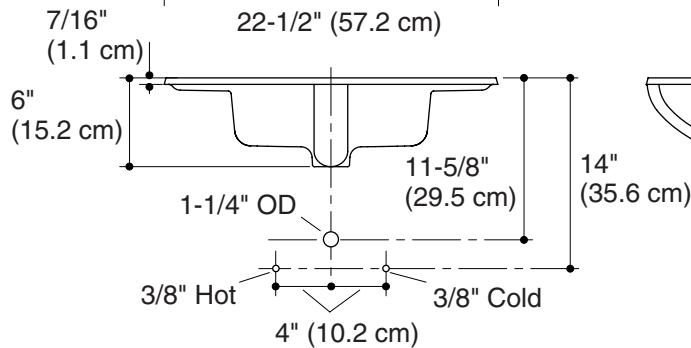
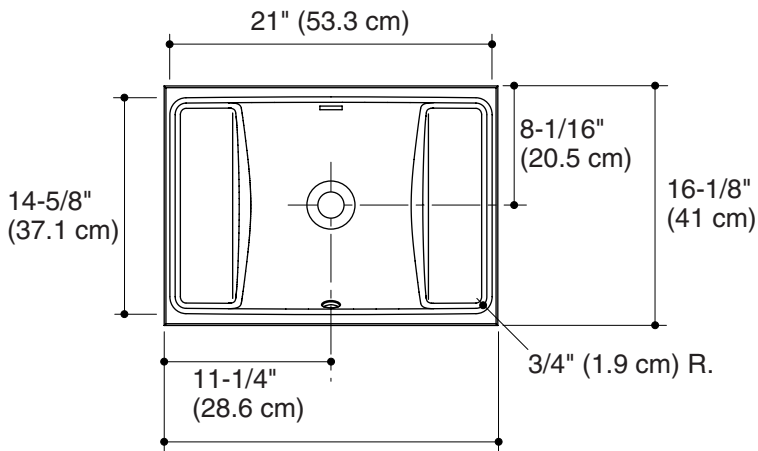
Technical Information

Fixture*:	
Basin area	21" (53.3 cm) x 14-5/8" (37.1 cm)
Water depth	3-1/4" (8.3 cm)
Outlet	1-11/16" (4.3 cm) D.
* Approximate measurements for comparison only.	

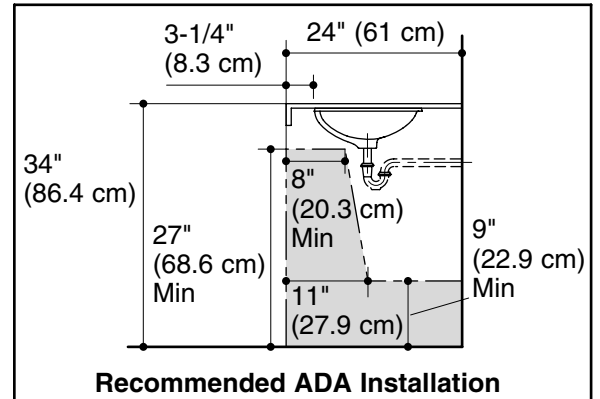
Included components:	
Overflow ferrule (1)	84896
Basin clamp assembly	52047
Cutout template	1070407-7

Installation Notes

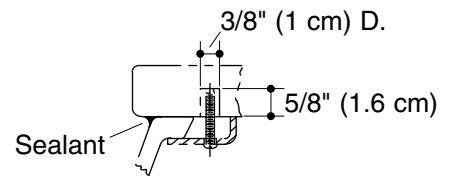
Install this product according to the installation guide.



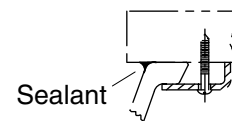
Standard Installation



Recommended ADA Installation



Marble Installation



Wood Installation

Product Diagram