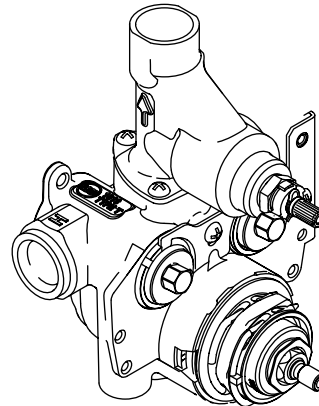


**1/2" THERMOSTATIC MIXER
K-2973-KS**

Features

- Forged brass valve body
- Wall-mount
- High-temperature limit setting for added safety
- Temperature-balancing mechanism
- Scald hazard prevention
- Integral service stops
- Crossflow prevention
- 1/2" NPT connections
- Serviceable inlet filter screens
- Single outlet
- Independent temperature volume controls



Codes/Standards Applicable

Specified model meets or exceeds the following:

- ASSE 1016
- ASME A112.18.1/CSA B125.1

Colors/Finishes

- NA: None applicable

Accessories

- NA: None applicable

Specified Model

Model	Description	Colors/Finishes
K-2973-KS	1/2" thermostatic mixer - with volume control	<input type="checkbox"/> NA
Optional Accessories		
K-9663	Twin ell - for use with diverter bath spouts only	<input type="checkbox"/> NA

Product Specification

The thermostatic mixer with independent temperature volume controls shall have a forged brass valve body. Product shall feature a 1/2" quarter-turn washerless ceramic disc valve, assuring positive handle stop positioning. Product shall feature a high-temperature limit stop for added safety, a temperature-balancing mechanism, and a scald prevention mechanism. Product shall also feature integral service stops, serviceable filter screens, and cross flow prevention. Product shall have single outlet and 1/2" NPT connections. The thermostatic mixer shall be Kohler Model K-2973-KS-NA.

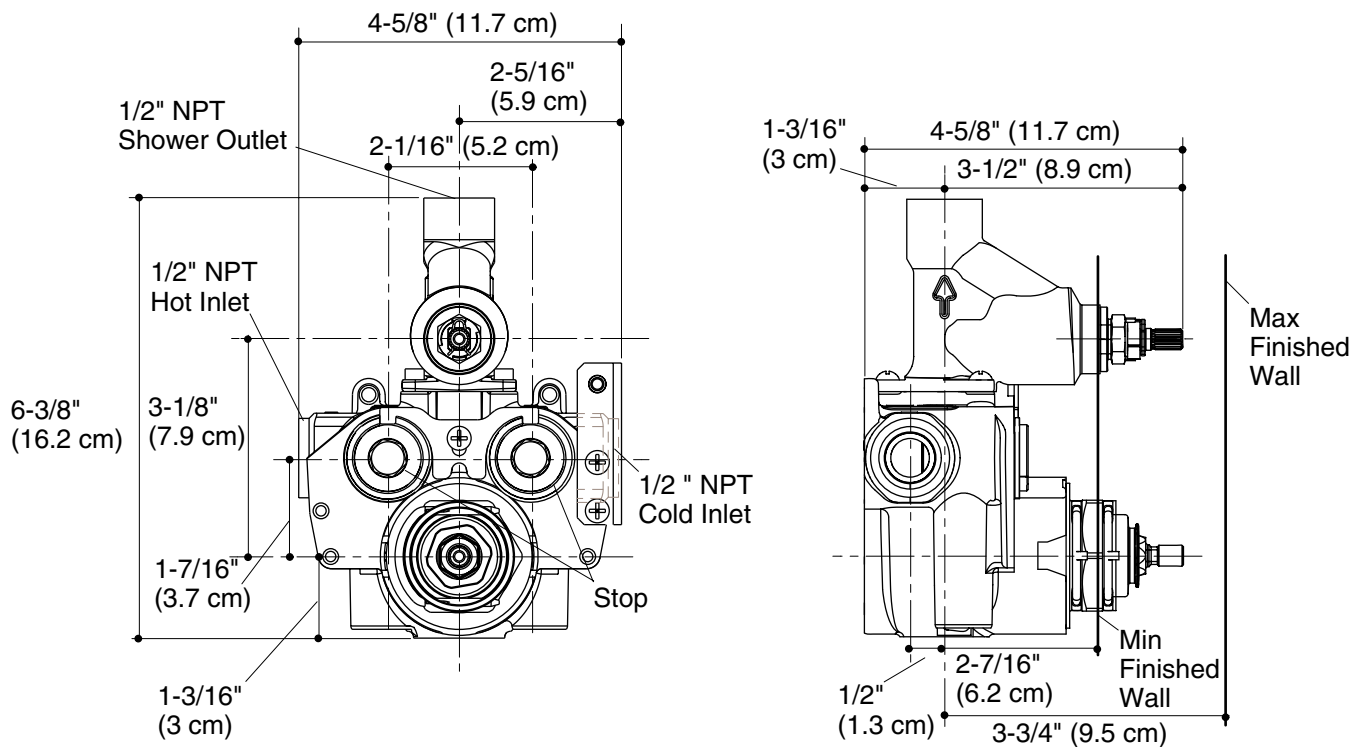
MASTERSHOWER®

Installation Notes

Install this product according to the installation guide.

The K-2973-KS thermostatic mixer valve includes one volume control for shower-only or bath-only installations.

For installations with a diverter spout, a K-9663 twin ell is required between the valve and the spout. The supply to the K-9663 twin ell must run from the top port.



Product Diagram