

**VALVE SYSTEM
K-301-K**

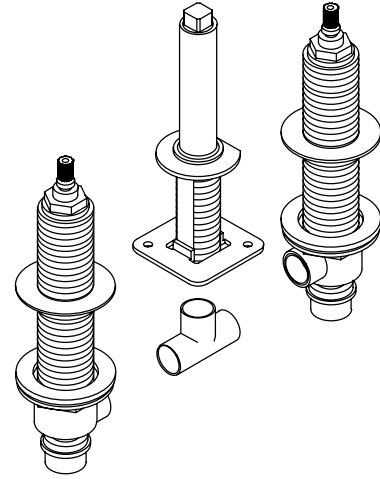
FEATURES

- Brass valve bodies
- Bath- or deck-mount
- 3/4" quarter-turn washerless ceramic disc valves
- High-flow valving

CODES/STANDARDS APPLICABLE

Specified model meets or exceeds the following:

- ASME/ANSI A112.18.1M
- CSA B125
- IAPMO/UPC



COLORS/FINISHES

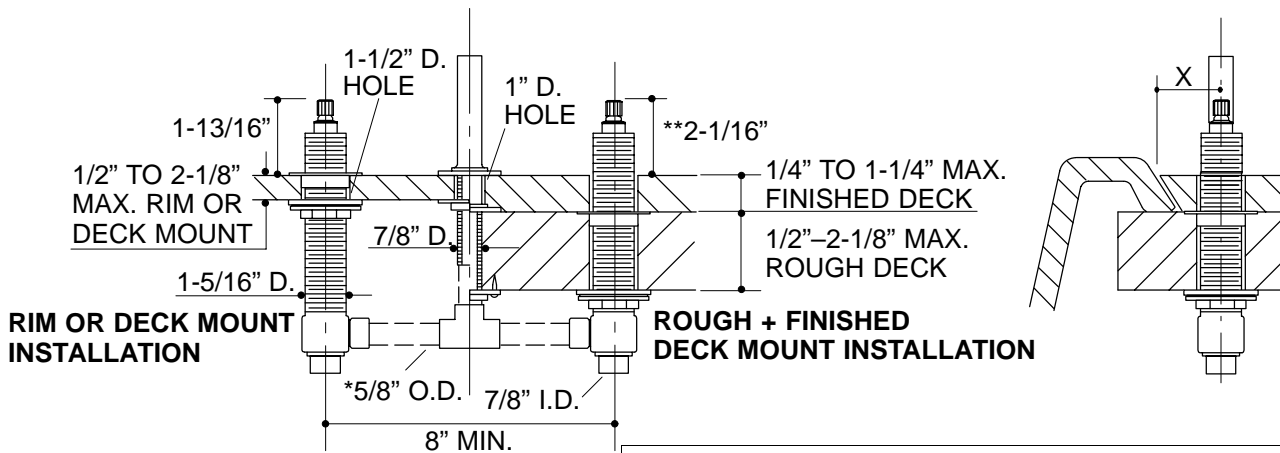
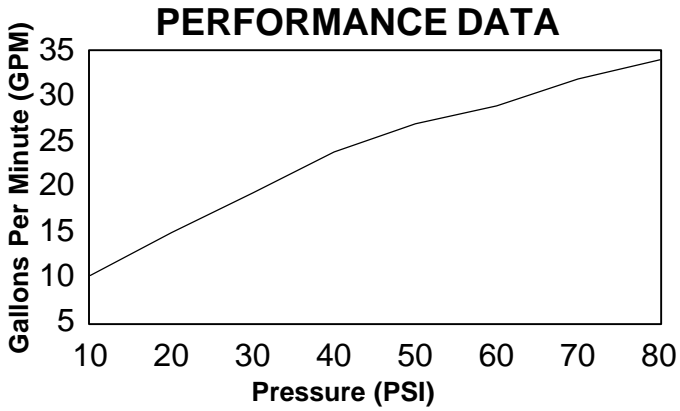
- NA Not applicable

SPECIFIED MODEL:

Model	Description	
K-301-K	3/4" High-Flow Ceramic Disc Valve System	<input type="checkbox"/> NA

PRODUCT SPECIFICATION:

Two-handle bath- or deck-mount 3/4" high-flow valve system shall feature brass valve bodies. Faucet shall feature 3/4" quarter-turn washerless ceramic disc valves, assuring positive handle stop positioning. High-flow valving allows water to flow 25-30 gpm at 45 psi. Valve system shall be Kohler Model K-301-K-NA.



Roughing-In Notes
*Dashed lines indicate items to be supplied by installer.
**Dimension allows +/-1/4" handle adjustment during handle trim installation.
X= Distance from centerline of spout inlet to front of spout base plus 1/2"
For installations on a rough (unfinished) deck to be covered later with tile, the tile thickness must not exceed 1-1/4".

PRODUCT DIAGRAM