

KOHLER® Roughing-In

K-3164 UNDERTONE® UNDER-MOUNT KITCHEN SINK

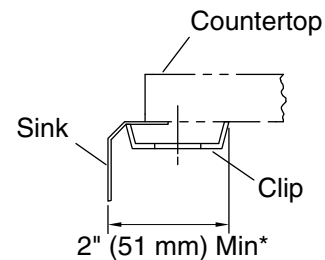
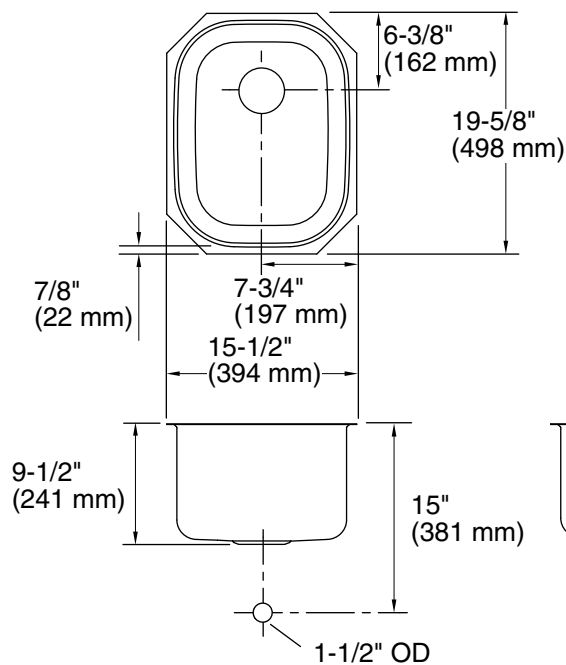
Product Information

Applicable product:	
Under-mount kitchen sink	K-3164
Fixture:*	
Bowl area	13-3/4" (349 mm) x 17-7/8" (454 mm)
Water depth	9-1/2" (241 mm)
Drain Hole	Ø 3-5/8" (92 mm)
* Approximate measurements for comparison only.	
Included components:	
Hardware kit	91915
Cut-out template	113198

Installation Notes

Install this product according to the installation guide.

Fixture conforms to ASME Standard A112.19.3/CSA B45.4. All dimensions are nominal.



* Allow clearance around sink rim for clip attachment.