

**VALVE SYSTEM
K-302-K**

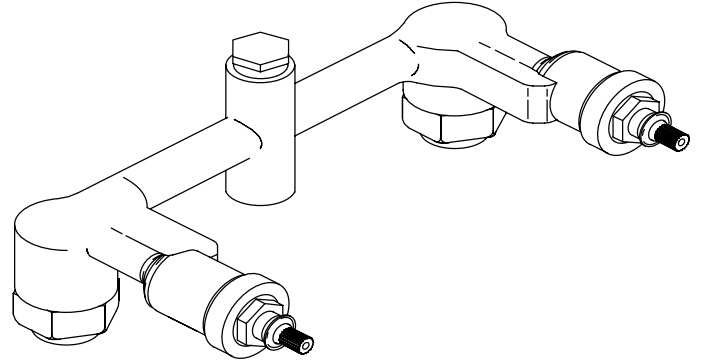
FEATURES

- *Wall-mount*
- *For 8" centers*
- *Brass valve bodies*
- *1/2" quarter-turn washerless ceramic disc valves*

CODES/STANDARDS APPLICABLE

Specified model meets or exceeds the following:

- *ASME/ANSI A112.18.1M*
- *CSA B125*
- *IAPMO/UPC*



COLORS/FINISHES

- NA Not applicable

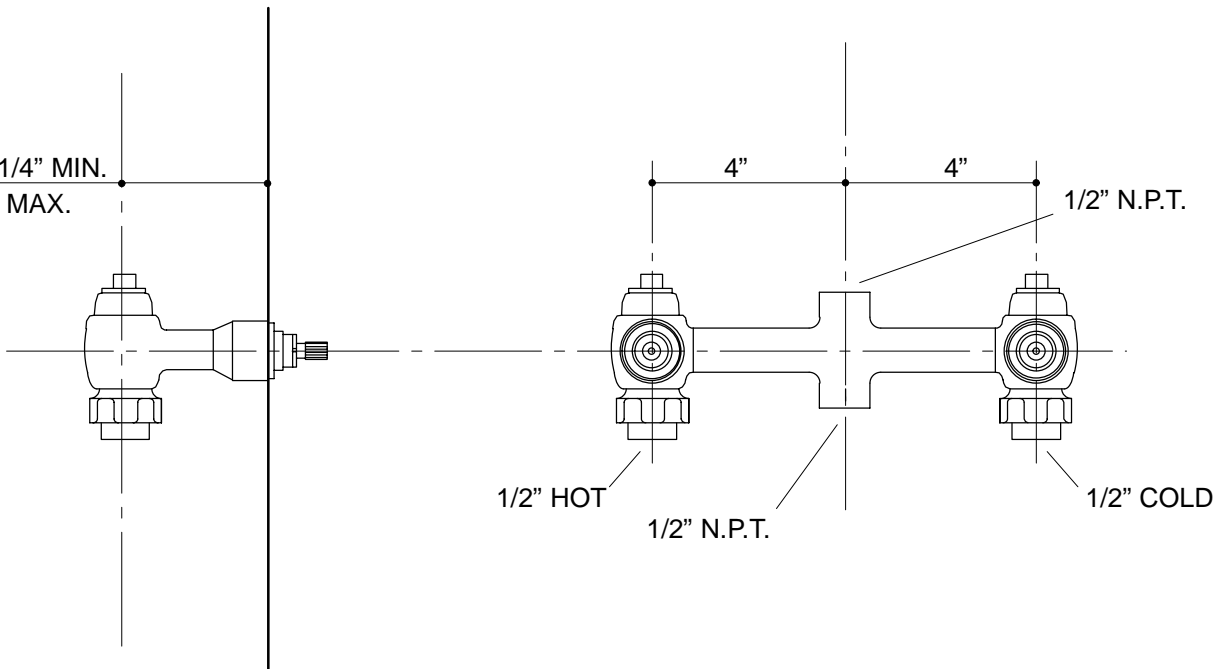
SPECIFIED MODEL:

Model	Description	
K-302-K	2-Handle 1/2" Ceramic Disc Valve System	<input type="checkbox"/> NA

PRODUCT SPECIFICATION:

Two-handle wall-mount 1/2" valve system shall feature 8" centers, and brass valve bodies. Faucet shall feature 1/2" quarter-turn washerless ceramic disc valves, assuring positive handle stop positioning. Valve system shall be Kohler Model K-302-K-NA.

2-1/4" MIN.
3" MAX.



14

PRODUCT DIAGRAM