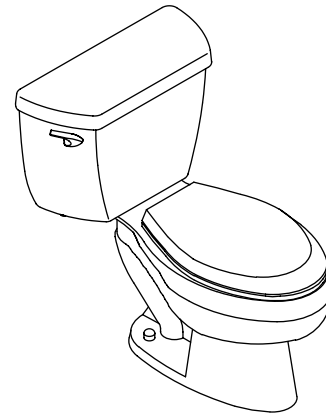


PRESSURE-LITE™ 1.1 TOILET K-3531

Features

- 12" (30.5 cm) rough-in
- Includes polished chrome trip lever
- Less seat and supply
- Vitreous china
- Elongated bowl
- 1.1 gpf (4.2 lpf)
- Equipped with Sloan Flushmate® - Sloan Valve Company
- Combination toilet
- Optional bedpan lugs or tank cover locks
- Available with right-hand or left-hand trip lever
- 11-1/2" (29.2 cm) x 9-1/2" (24.1 cm) water area
- 30-1/8" (76.5 cm) x 21-1/4" (54 cm) x 29-1/4" (74.3 cm)



Codes/Standards Applicable

Specified model meets or exceeds the following:

- ASME A112.19.2
- Energy Policy Act of 1992 (EPACT)
- IAPMO/UPC
- CSA B45

Colors/Finishes

- 0: White
- Other: Refer to Price Book for additional colors/finishes

Accessories:

- 0: White
- CP: Polished Chrome
- PB: Polished Brass
- Other: Refer to Price Book for additional colors/finishes

Specified Model

Model	Description	Colors/Finishes	
K-3531	Elongated bowl toilet (left-hand trip lever) (-RA right-hand trip lever)	<input type="checkbox"/> 0 White	<input type="checkbox"/> Other_____
K-3531-T/TR	Toilet with tank cover locks (left/right-hand trip lever)	<input type="checkbox"/> 0 White	<input type="checkbox"/> Other_____
K-4303	Toilet bowl (-L with bedpan lugs)	<input type="checkbox"/> 0 White	<input type="checkbox"/> Other_____
K-4484	Tank (left-hand trip lever) (-RA right-hand trip lever)	<input type="checkbox"/> 0 White	<input type="checkbox"/> Other_____

Recommended Accessories

K-4650	French Curve™ seat with cover	<input type="checkbox"/> 0 White	<input type="checkbox"/> Other_____
K-4664	Brevia™ seat with cover	<input type="checkbox"/> 0 White	<input type="checkbox"/> Other_____
K-7637	Angle supply with stop	<input type="checkbox"/> CP	<input type="checkbox"/> PB <input type="checkbox"/> Other_____

Product Specification:

The elongated combination toilet shall be 12" (30.5 cm) rough-in. Toilet shall include a polished chrome trip lever and be less seat and supply. Toilet shall be made of vitreous china and 1.1 gpf (4.2 lpf). Toilet shall be equipped with Sloan Flushmate® - Sloan Valve Company. Toilet shall have optional bedpan lugs or tank cover locks and with right or left hand trip lever. Toilet shall have 11-1/2" (29.2 cm) x 9-1/2" (24.1 cm) water area. Toilet shall be Kohler Model K-3531-_____.

WELLWORTH®

Optional Accessories

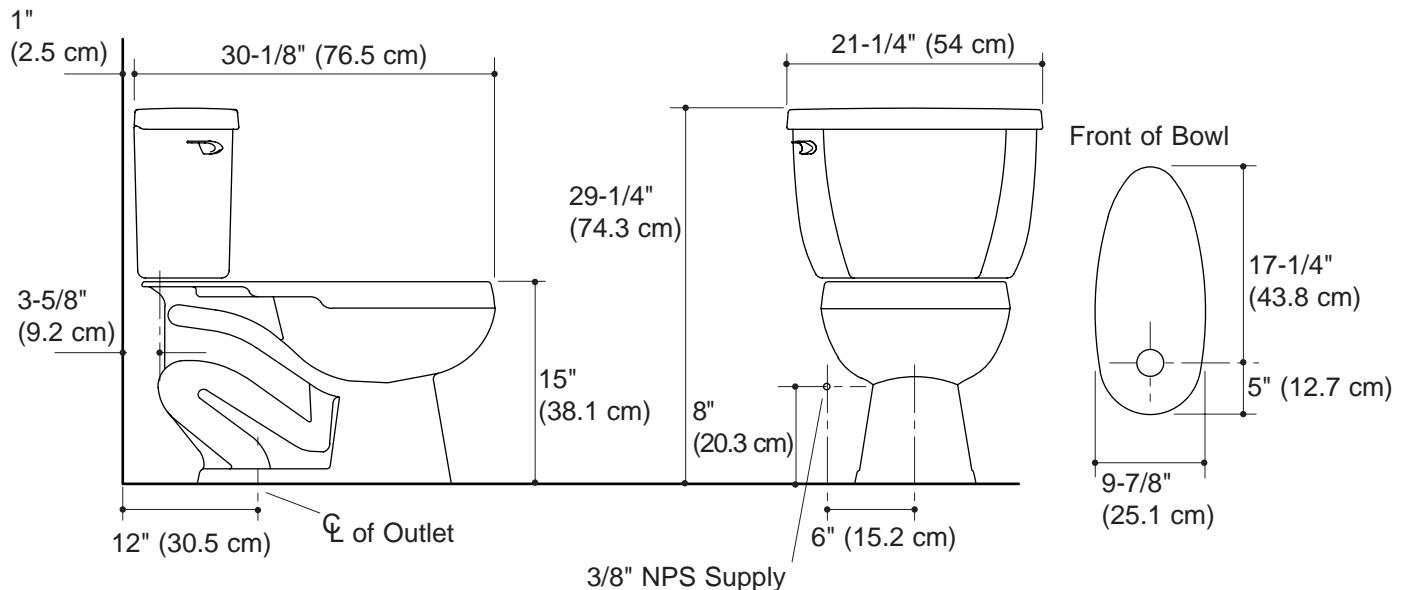
K-9481-L	Trip lever, left-hand (non-CP)	<input type="checkbox"/> PB	<input type="checkbox"/> Other _____
K-9481-R	Trip lever, right-hand (non-CP)	<input type="checkbox"/> PB	

Technical Information

Fixture:	
Configuration	2-piece, elongated
Water per flush	1.1 gpf (4.2 lpf)
Passageway	2-1/4" (5.7 cm)
Water area	11-1/2" (29.2 cm) x 9-1/2" (24.1 cm)
Water depth from rim	5-5/8" (14.3 cm)
Seat post hole centers	5-1/2" (14 cm)
Maximum static pressure required	35 psi (241 kPa)
Maximum static pressure	80 psi (551.6 kPa)

Installation Notes

Install this product according to the installation guide.



Product Diagram