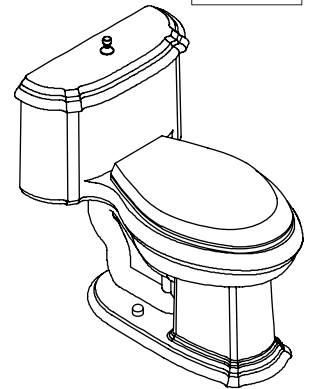


COMFORT HEIGHT™ TOILET K-3506

ADA



Features

- Vitreous china
- Elongated bowl
- One-piece
- 2-1/8" (5.4 cm) glazed trapway
- Includes seat and cover
- Includes polished chrome lift knob
- Class Five™ flushing system
- 1.6 gpf (6 lpf) or 1.4 gpf (5.3 lpf)
- EPDM flapper
- 11-1/2" (29.2 cm) x 8-1/2" (21.6 cm) water area
- 16-1/2" (41.9 cm) high bowl is ADA compliant when an open front seat is installed
- 27-3/4" (70.5 cm) x 20-1/2" (52.1 cm) x 28-7/8" (73.3 cm)

Codes/Standards Applicable

Specified model meets or exceeds the following:

- ASME A112.19.2
- Energy Policy Act of 1992
- IAPMO/UPC
- CSA International
- CSA B45.0
- CSA B45.1
- ADA

Colors/Finishes

- 0: White
- Other: Refer to Price Book for additional colors/finishes

Accessories:

- CP: Polished Chrome
- PB: Polished Brass
- Other: Refer to Price Book for additional colors/finishes

Specified Model

Model	Description	Colors/Finishes		
K-3506	One-piece elongated toilet with lift knob	<input type="checkbox"/> 0	<input type="checkbox"/> Other_____	
Recommended Accessories				
K-7637	3/8" NPT angle supply with four-arm handle stop and annealed vertical tube	<input type="checkbox"/> CP	<input type="checkbox"/> PB	<input type="checkbox"/> Other_____
Optional Accessories				
K-4650	Lustra™ elongated open front toilet seat – for ADA compliant installation	<input type="checkbox"/> 0		<input type="checkbox"/> Other_____
K-9446	Lift knob flush actuator		<input type="checkbox"/> PB	<input type="checkbox"/> Other_____

Product Specification:

The elongated one-piece toilet shall be 27-3/4" (70.5 cm) in length, 20-1/2" (52.1 cm) in width, and 28-7/8" (73.3 cm) in height. Toilet shall have 11-1/2" (29.2 cm) x 8-1/2" (21.6 cm) water area. Toilet shall be made of vitreous china. Toilet shall be rated at 1.6 gallons (6 L) per flush or 1.4 gallons (5.3 L) per flush. Toilet shall feature a 16-1/2" (41.9 cm) high bowl which is ADA compliant when an open front seat is installed. Toilet shall include 2-1/8" (5.4 cm) glazed trapway, seat and cover, polished chrome lift knob, EPDM flapper, and Class Five flushing system. Toilet shall be Kohler Model K-3506-_____.

PORTRAIT®

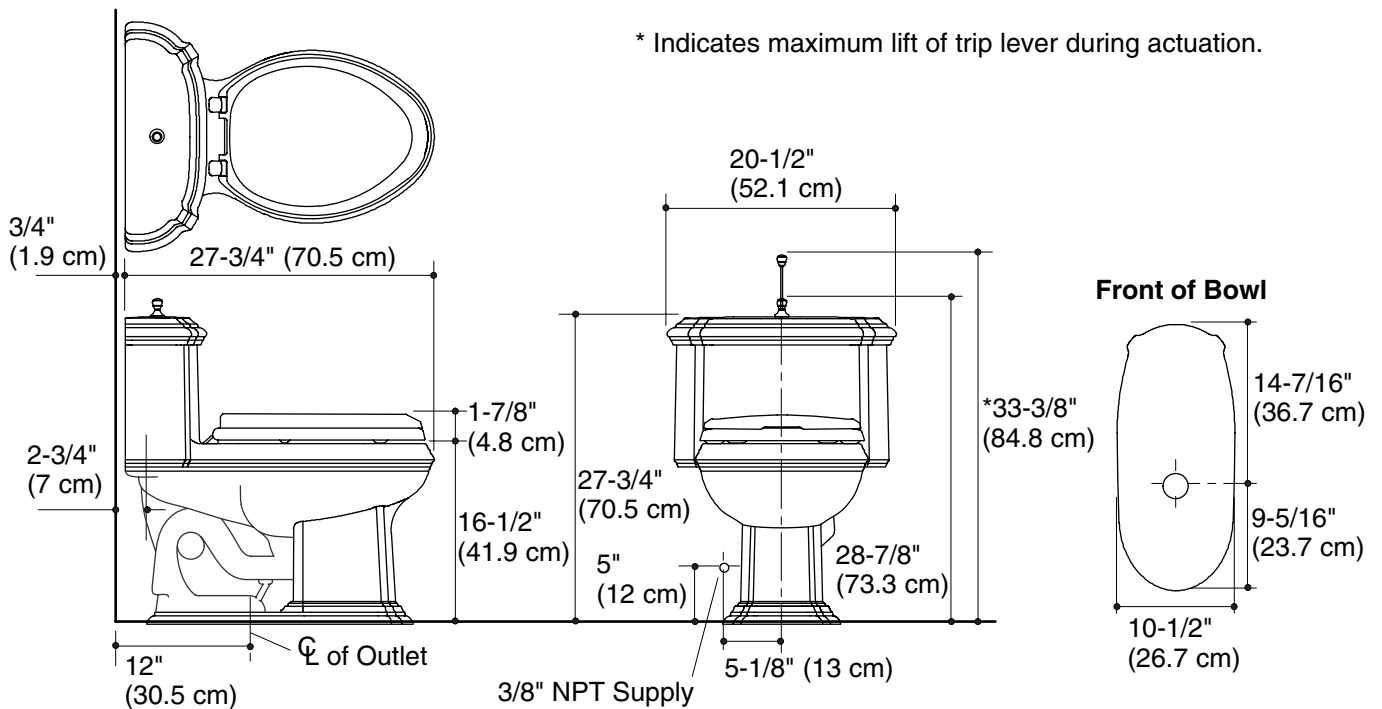
Technical Information

Fixture:	
Configuration	one-piece, compact elongated
Water per flush	1.6 gal (6 L) or 1.4 gal (5.3 L)
Passageway	2-1/8" (5.4 cm)
Water area	11-1/2" (29.2 cm) x 8-1/2" (21.6 cm)
Water depth from rim	6" (15.2 cm)
Seat post hole centers	5-1/2" (14 cm)

Included components:	
Seat	K-4733
Tank cover	89809
Bolt cap accessory pack	52048
Tank accessory pack	52265

Installation Notes

Install this product according to the installation guide.



Product Diagram