

FEATURES

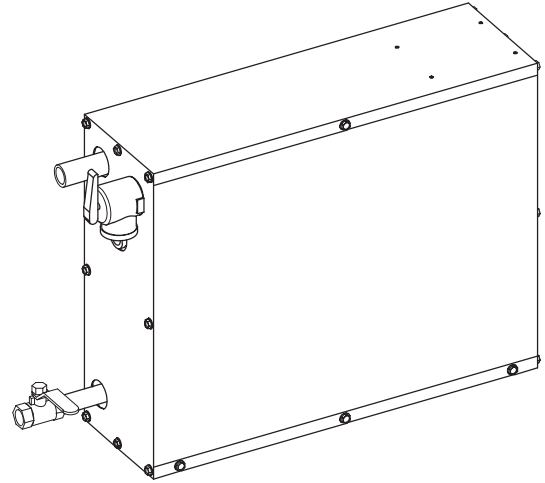
- Three-year warranty
- Steam generators can be installed up to 25' (7.6m) away from steam bath area

K-1659

CODES/STANDARDS APPLICABLE

Specified model meets or exceeds the following:

- UL 499



COLORS/FINISHES

- NA None Applicable

Accessories:

- CP Polished Chrome
- PB Polished Brass
- Other Refer to Fixtures Price Book for additional finishes

SPECIFIED MODEL:

Model	Description	Colors/Finishes		
K-1659	11 kW Steam generator	<input type="checkbox"/> NA		
Required Accessories				
K-1663	Steam head and control panel	<input type="checkbox"/> CP	<input type="checkbox"/> PB	<input type="checkbox"/> Other _____

PRODUCT SPECIFICATION:

The steam generator shall include an 11 kW generator. Steam generator shall pass UL 499 standard. Steam generator shall be Kohler Model K-1659.

STEAM GENERATOR

REQUIRED ELECTRICAL SERVICE

Dedicated circuit required:	
Generator	11 kW, 240 V, 60 A, 60 Hz

PRODUCT INFORMATION

Water and drain requirements:	
Water supply	3/8" copper line (3/8" NPT female thread)
Steam line	1/2" copper line (1/2" NPT thread)
Pressure relief valve	3/4" NPT female thread (valve supplied)
Drain line	3/8" copper line, 3/8" NPT female thread (ball valve supplied)

Generator:	
Weight	19-1/2 lbs. (8.8kg)
Electrical rating	240V, 60 Hz, 55A

INSTALLATION NOTES

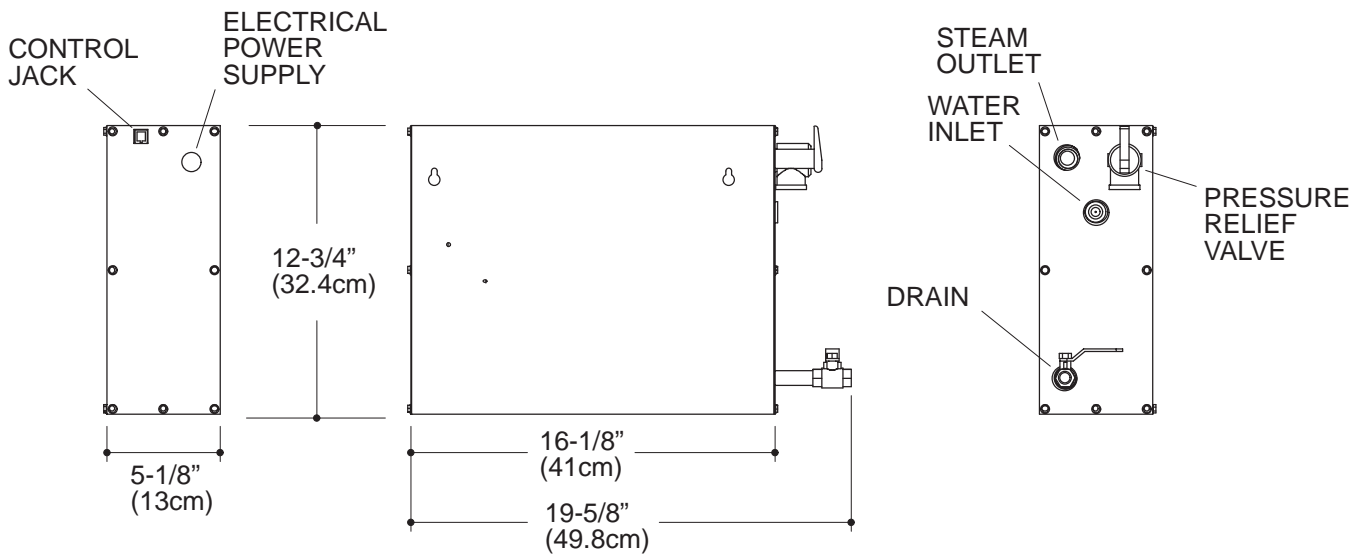
Calculate the area of the enclosure (length x width x height). For this steam generator, do not exceed the rating by material.

Acrylic or gel coat	650 cu. ft. (18.4 cu. m)
Corian, ceramic tile on sheetrock	425 cu. ft. (12 cu. m)
Glass tile	315 cu. ft. (8.9 cu. m)
Natural stone tile 3/8" (1cm) to 1/2" (1.3cm)	255 cu. ft. (7.2 cu. m)
Natural stone slab 3/4" (1.9cm) to 1" (2.5cm)	230 cu. ft. (6.5 cu. m)

Roughing-In Notes

Fixture dimensions are nominal.

Access	20" (50.8cm)W x 13" (33cm) H	minimum required
--------	------------------------------	------------------



PRODUCT DIAGRAM