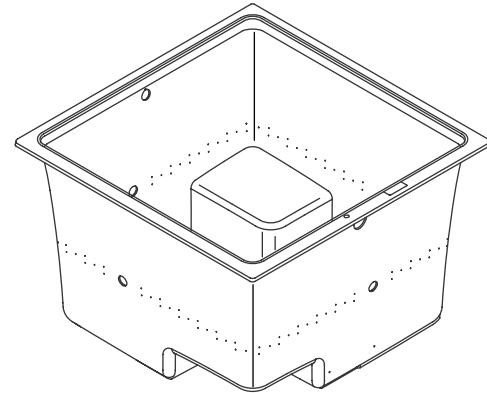


CUBE BUBBLEMASSAGE™ BATH K-1969-G ALSO K-1969-GCR

Features

- Acrylic
- Drop-in or undermount installation
- Two raised corner seats, at 6-3/4" (17.1 cm) and 11-7/8" (30.2 cm) from bath floor
- Blower motor with 300 W heater, electronic back-lit user control, and remote control
- 122 BubbleMassage™ airjets
- With Zones of Control™ feature
- Available with chromatherapy [-GCR]
- 27-1/2" (69.9 cm) soaking depth
- 48" (121.9 cm) x 48" (121.9 cm) x 34" (86.4 cm)



Codes/Standards Applicable

Specified model meets or exceeds the following:

- ASME A112.19.7M
- ANSI Z124.1.2
- CSA B45.0
- CSA B45.5
- UL 1795

Colors/Finishes

- 0: White
- Other: Refer to Price Book for additional colors/finishes

Accessories

- CP: Polished Chrome
- NA: None applicable
- Other: Refer to Price Book for additional colors/finishes

Specified Model

Model	Description	Colors/Finishes	
K-1969-G	Cube BubbleMassage bath	<input type="checkbox"/> 0	<input type="checkbox"/> Other_____
K-1969-GCR	Cube BubbleMassage bath with chromatherapy	<input type="checkbox"/> 0	<input type="checkbox"/> Other_____

Recommended Accessories				
K-8150	Cable drain	<input type="checkbox"/> NA		
K-8134	Drain trim kit		<input type="checkbox"/> CP	<input type="checkbox"/> Other_____

Optional Accessories				
K-578	Undermount kit	<input type="checkbox"/> NA		

Product Specification

The BubbleMassage bath shall be 48" (121.9 cm) in length, 48" (121.9 cm) in width, and 34" (86.4 cm) in height. Bath shall be made of acrylic. Bath shall be for drop-in or undermount installation. Bath shall have two raised corner seats, at 6-3/4" (17.1 cm) and 11-7/8" (30.2 cm) from bath floor. Bath shall have a blower motor with 300 W heater, electronic back-lit user control, and remote control. Bath shall have 122 BubbleMassage airjets. Bath shall be with Zones of Control™ feature. Bath shall be available with chromatherapy. Bath shall have a 27-1/2" (69.9 cm) soaking depth. Bath shall be Kohler Model K-1969-G-____ and K-1969-GCR-____

UNDERScore®

Technical Information

Fixture*:				
Bathing well:				
Basin area, bottom	39-3/8" (100 cm) x 39-3/8" (100 cm)			
Basin area, top	44-5/8" (113.3 cm) x 44-5/8" (113.3 cm)			
Weight	150 lbs (68 kg)			
To overflow:				
Water depth	27-1/2" (69.9 cm)			
Capacity	171 gal (647.3 L)			
* Approximate measurements for comparison only.				
Drop-in cut-out				
47" (119.4 cm) x 47" (119.4 cm)				
Blower motor/control:	Heater	V	Hz	A
	300 W	220-240	50/60	3

Required Electrical Service

Dedicated circuit required, protected with Class A Ground-Fault Circuit-Interrupter (GFCI) or Residual Current Device (RCD):

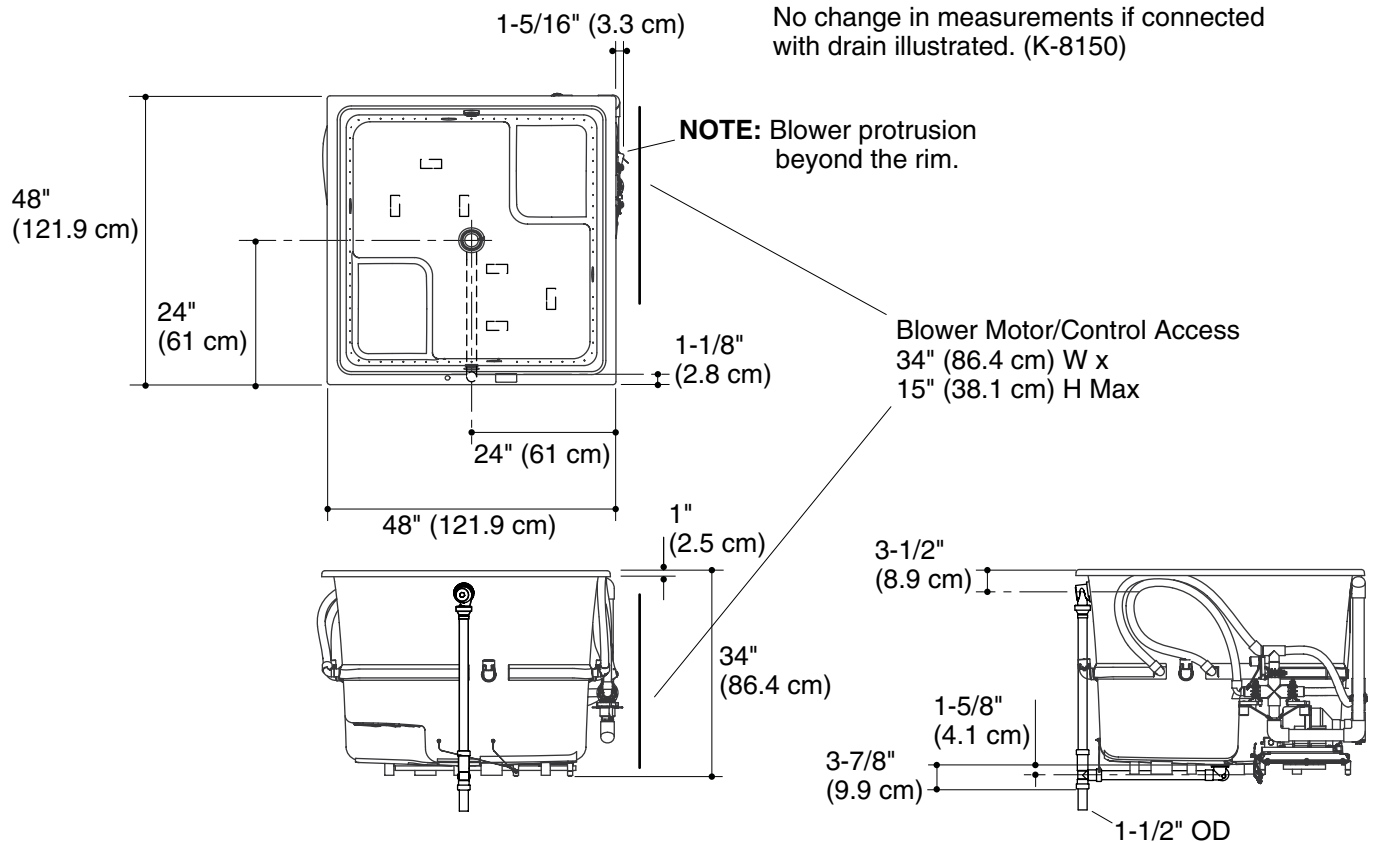
Blower motor/control: 220-240 V, 15 A, 50/60 Hz

Installation Notes

Install this product according to the installation guide.

Floor support under bath must provide for a minimum of 105 lbs/square foot (513 kg/square meter) loading.

Hot water supply should be 70% of capacity or greater. Installations will vary.



Product Diagram