

**Features**

- K-200 includes K-201 Hi-Flow filter cartridge
- K-201 cartridge reduces particulates, sediments/rust, cysts, and reduces chlorine taste/odor
- K-202 cartridge reduces particulates, sediments/rust, turbidity, cysts, and reduces chlorine taste/odor
- K-203 VOC cartridge reduces particulates, sediments/rust, and reduces chlorine taste/odor, and volatile organic chemicals, and MBTE
- Filter head automatically turns off the water supply when cartridge is removed

**Codes/Standards Applicable**

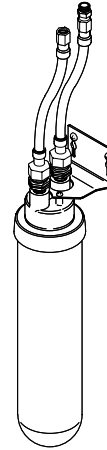
Specified model meets or exceeds the following:

- IAPMO/UPC
- NSF 42
- NSF 53

**WATER FILTRATION SYSTEM**

**K-200**

**ALSO K-201, K-202, K-203**



**Colors/Finishes**

- NA: None applicable

**Specified Model:**

Model	Description	
K-200	Water filtration system	<input type="checkbox"/> NA
Replacement Cartridges		
K-201	Hi Flow filter cartridge	<input type="checkbox"/> NA
K-202	Premium replacement filter cartridge	<input type="checkbox"/> NA
K-203	VOC replacement filter cartridge	<input type="checkbox"/> NA

**PRODUCT SPECIFICATION**

Filter system shall include K-201 Hi Flow cartridge. Filter system shall automatically turn off water supply when cartridge is removed. Filter system shall be Kohler Model K-200-NA.

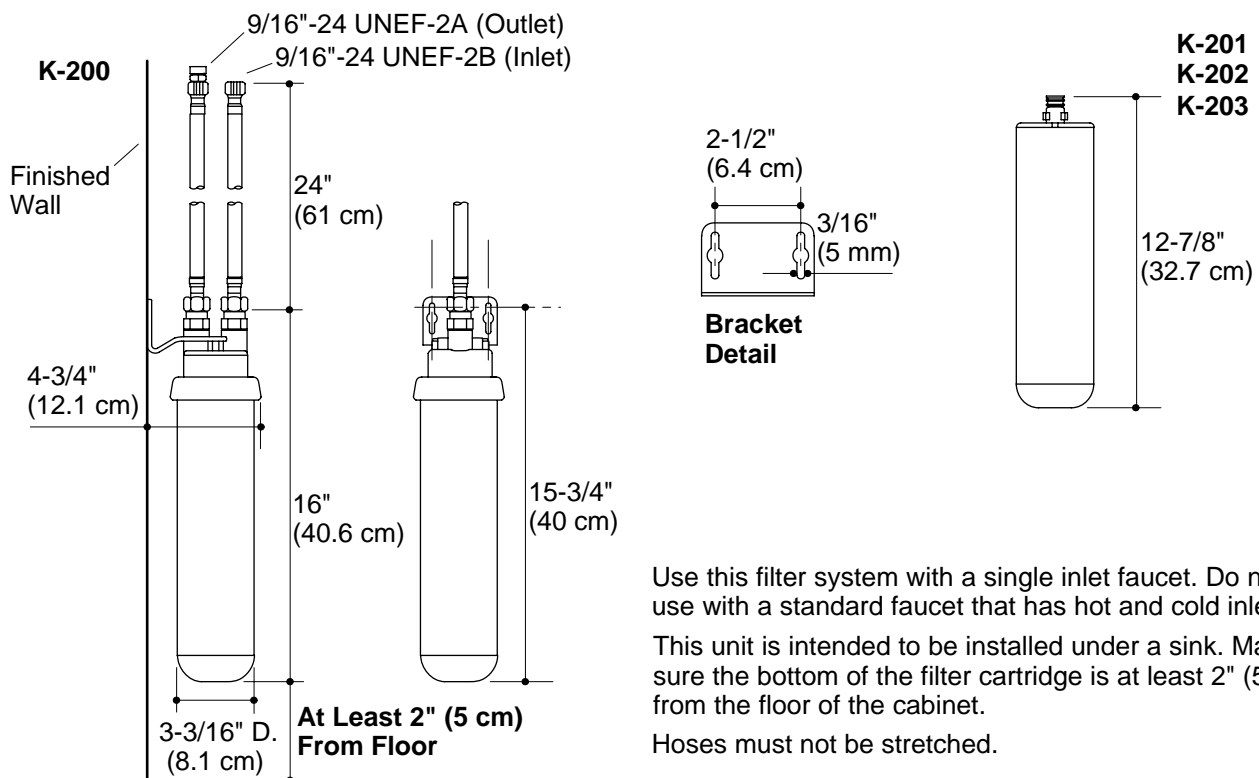
# AQUIFER™

## Technical Information

Application guideline/water supply parameters:	
Water pressure	30-125 psi (206-862 kPa)
Water temperature	40°-100° F (4.4°-38° C)
Flow rates:	
K-201	1.5 gpm (5.68 lpm)
K-202	0.6 gpm (2.27 lpm)
K-203	0.6 gpm (2.27 lpm)

## Installation Notes

Install this product according to the installation guide.  
For cold water use only.



Use this filter system with a single inlet faucet. Do not use with a standard faucet that has hot and cold inlets. This unit is intended to be installed under a sink. Make sure the bottom of the filter cartridge is at least 2" (5 cm) from the floor of the cabinet. Hoses must not be stretched.

## Product Diagram