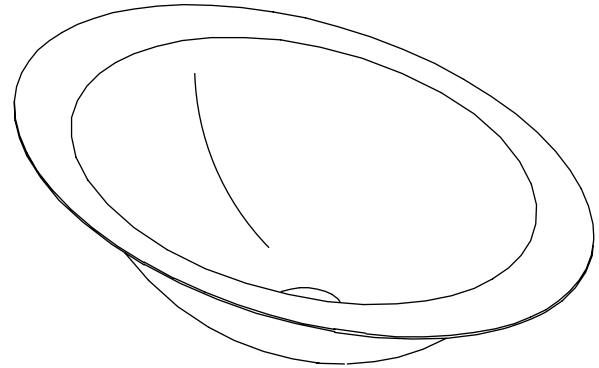


SELF-RIMMING LAVATORY K-2603

Features

- Self-rimming
- 20-gauge stainless steel
- Chrome plated brass tube and gasket included to cover the overflow hole in the drain assembly
- Includes installation hardware
- Contemporary, elliptical shape
- Spacious, flat-rim styling
- Without overflow
- Less faucet drilling
- 23-1/8" (58.7 cm) x 15-1/4" (38.7 cm)



Codes/Standards Applicable

Specified model meets or exceeds the following:

- ASME A112.19.3/CSA B45.4
- ICC/ANSI A117.1
- ADA

Colors/Finishes

- NA: None applicable

Accessories

- CP: Polished Chrome
- Other: Refer to Price Book for additional colors/finishes

Specified Model

Model	Description	Colors/Finishes
K-2603-SU	Self-rimming lavatory – Satin finish	<input type="checkbox"/> NA
K-2603-MU	Self-rimming lavatory – Mirror finish	<input type="checkbox"/> NA

Recommended Accessories			
K-7114	Pop-up lavatory drain	<input type="checkbox"/> CP	<input type="checkbox"/> Other_____
K-7127	Lavatory drain with non-removable metal stopper	<input type="checkbox"/> CP	<input type="checkbox"/> Other_____
K-7129	Grid drain	<input type="checkbox"/> CP	<input type="checkbox"/> Other_____
K-8998	P-trap	<input type="checkbox"/> CP	<input type="checkbox"/> Other_____

Product Specification

The self-rimming lavatory shall be made of 20 gauge stainless steel. Lavatory shall be 23-1/8" (58.7 cm) in length, and 15-1/4" (38.7 cm) in width. Lavatory shall have contemporary, elliptical shape and without overflow. Lavatory shall have spacious, flat-rim styling and less faucet drilling. Lavatory shall include installation hardware. Lavatory shall have a chrome plated brass tube and drain gasket included to cover the overflow hole in the faucet drain assembly. Lavatory shall be Kohler Model K-2603-_____.

RHYTHM®

Technical Information

Fixture:*	
Lavatory	
Basin area	18" (45.7 cm) x 13" (33 cm)
Water depth	5-7/8" (14.9 cm)
Drain hole	1-5/8" (4.1 cm) D.
* Approximate measurements for comparison only.	

Included components:	
Basin clamp assembly (2-packs)	7257
Drain gasket	33507
Tube	1011037-CP
Cut-out template	1006417-7

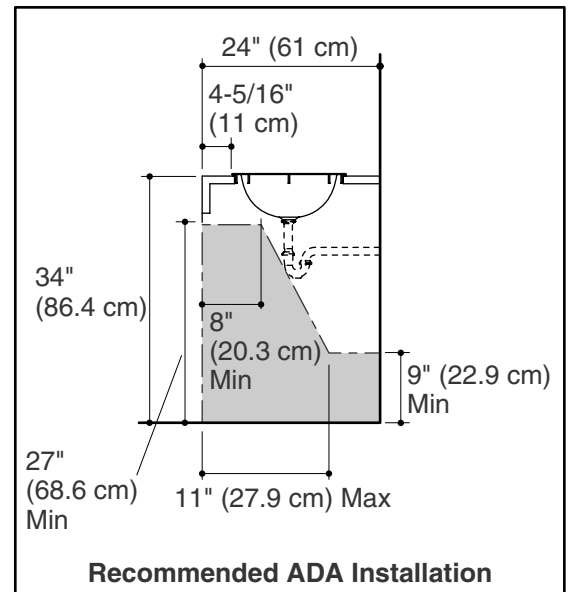
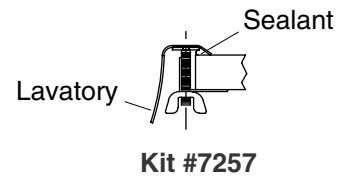
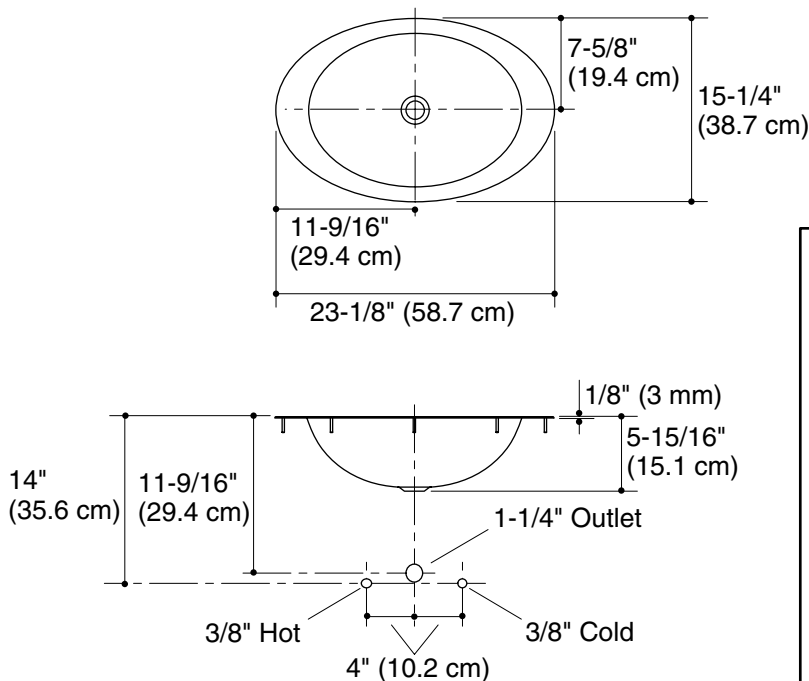
Installation Notes

Install this product according to the installation guide.

Minimum faucet spout reach of 5" (12.7 cm) is required. Review lavatory and faucet rough-in dimensions carefully to ensure the spout will reach over the rim into the basin.

Supplied basin clamp assembly requires 3/4" (1.9 cm) minimum countertop thickness. Installer must supply anchors for thinner countertops.

NOTICE: Countertop manufacturer or cutter must use the cut-out template provided by Kohler Co. (call 1-800-4-KOHLER). Kohler Co. is not responsible for cut out errors when the incorrect cut-out template is used.



Product Diagram