

Features

- Fireclay
- With or without overflow
- Countertop installation
- Includes K-4062-CP overflow cap
- 21-15/16" (53.2 cm) x 16" (40.6 cm)

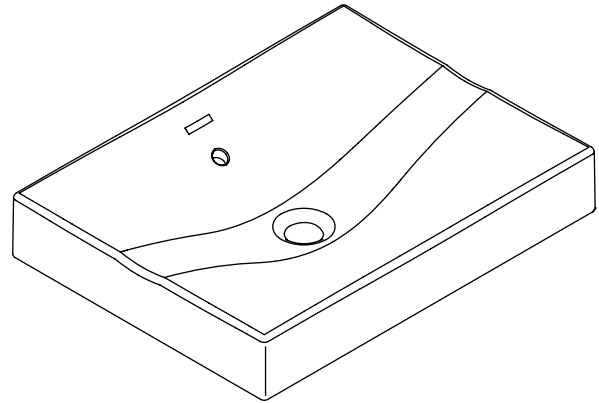
WADING POOL® LAVATORY K-2954

ADA

Codes/Standards Applicable

Specified model meets or exceeds the following:

- ADA
- ASME A112.19.2/CSA B45.1
- ICC/ANSI A117.1



Colors/Finishes

- 0: White
- Other: Refer to Price Book for additional colors/finishes

Accessories

- CP: Polished Chrome
- Other: Refer to Price Book for additional colors/finishes

Specified Model

Model	Description	Colors/Finishes	
K-2954	Wading Pool lavatory with overflow (shown)	<input type="checkbox"/> 0	<input type="checkbox"/> Other_____
K-2954-N	Wading Pool lavatory without overflow	<input type="checkbox"/> 0	<input type="checkbox"/> Other_____
Included Accessories			
K-4062	Overflow cap for K-2954	<input type="checkbox"/> CP	<input type="checkbox"/> Other_____
Recommended Accessories			
K-7107	Decorative grid drain	<input type="checkbox"/> CP	<input type="checkbox"/> Other_____
K-7108	Decorative grid drain	<input type="checkbox"/> CP	<input type="checkbox"/> Other_____
K-7710	Metal stopper	<input type="checkbox"/> CP	<input type="checkbox"/> Other_____
K-9018	P-Trap	<input type="checkbox"/> CP	<input type="checkbox"/> Other_____

Product Specification

The fireclay lavatory shall be 21-15/16" (53.2 cm) in length and 16" (40.6 cm) in width. Lavatory shall be for countertop installation. Lavatory shall include K-4062-CP overflow cap. Lavatory shall be available with or without overflow. Lavatory shall be Kohler Model K-2954-_____.

STRELA™

Technical Information

Fixture*:	
Basin area	20-5/16" (51.6 cm) x 15-1/4" (38.7 cm)
Water depth	2-7/8" (7.3 cm) without overflow 15/16" (2.4 cm) with overflow
Drain hole	1-3/4" (4.4 cm) D.
* Approximate measurements for comparison only.	
Included component:	
Cut-out template	1115043-7
Overflow cap for K-2954	K-4062-CP

Installation Notes

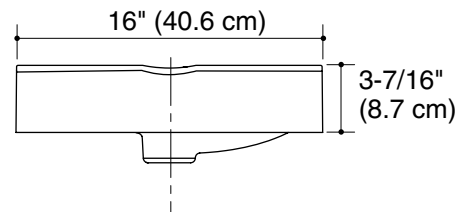
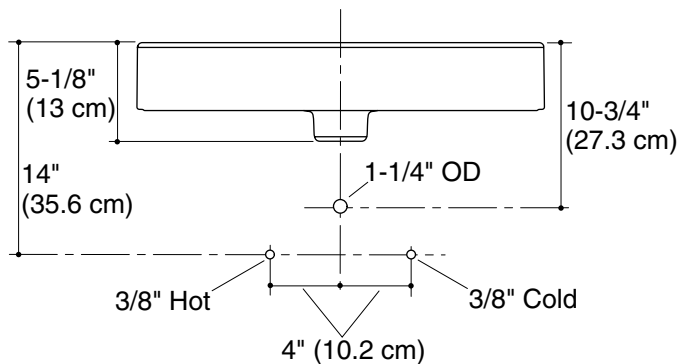
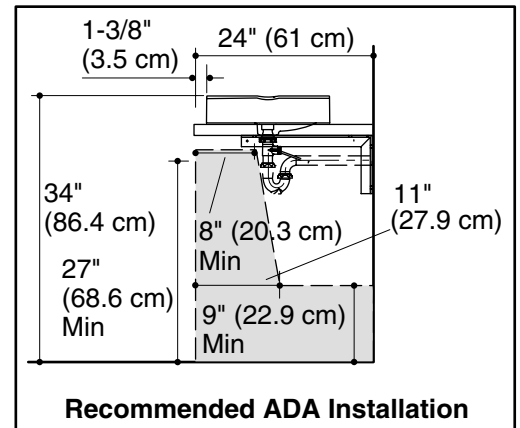
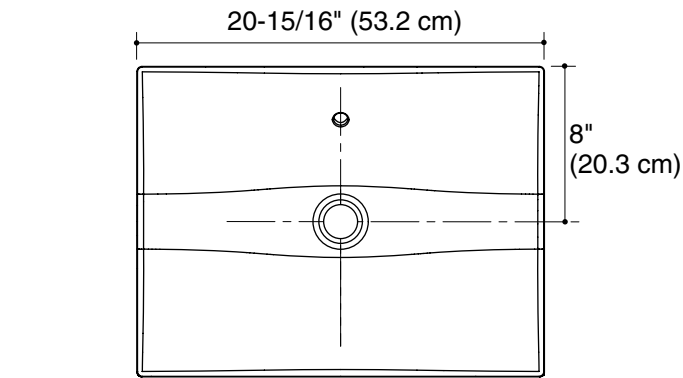
Install this product according to the installation guide.

IMPORTANT! Product rests on a countertop. Consider height of product when designing installation.

Choose a faucet that will provide adequate clearance and will direct the water stream to the center of the lavatory.

When installing a pop-up drain to this lavatory, it may be necessary to bend the drain linkage to allow proper reach to the faucet lift rod.

NOTICE: The countertop manufacturer or cutter **must** use the cut-out template provided with the product, or a current one provided by the Kohler Co. (Call 1-800-4-KOHLER.) Kohler Co. is not responsible for cut-out errors when the incorrect cut-out template is used.



Product Diagram