

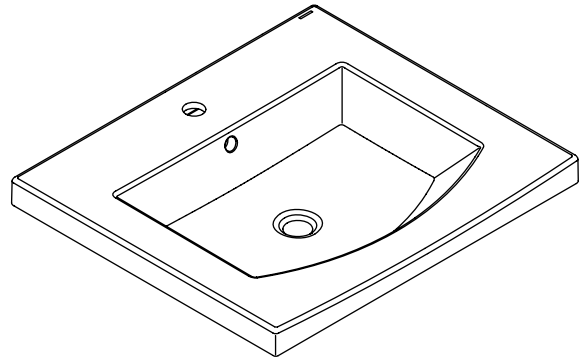
Features

- Vitreous china
- Countertop installation
- With overflow
- 8" (20.3 cm) centers (-8), 4" (10.2 cm) centers (-4), or single-hole (-1)
- Also installs to K-2526, K-2527 and K-2529 vanities
- 25-1/4" (64.1 cm) x 22" (55.9 cm)

Codes/Standards Applicable

Specified model meets or exceeds the following:

- ASME A112.19.2/CSA B45.1



Colors/Finishes

- 0: White
- Other: Refer to Price Book for additional colors/finishes

Accessories

- CP: Polished Chrome
- Other: Refer to Price Book for additional colors/finishes

Specified Model

Model	Description	Colors/Finishes	
K-2956-1	Lavatory with single faucet hole	<input type="checkbox"/> 0	<input type="checkbox"/> Other_____
K-2956-4	Lavatory with 4" (10.2 cm) centers	<input type="checkbox"/> 0	<input type="checkbox"/> Other_____
K-2956-8	Lavatory with 8" (20.3 cm) centers	<input type="checkbox"/> 0	<input type="checkbox"/> Other_____
Recommended Accessories			
K-8998	P-Trap	<input type="checkbox"/> CP	<input type="checkbox"/> Other_____

Product Specification

The countertop lavatory shall be made of vitreous china. Lavatory shall be 25-1/4" (64.1 cm) in length, and 22" (55.9 cm) in width. Lavatory shall have single-hole (K-2956-1), 4" (10.2 cm) centers (K-2956-4), or 8" (20.3 cm) centers (K-2956-8). Lavatory also installs to K-2526, K-2527 and K-2529 vanities. Lavatory shall be Kohler Model K-2956-_____-_____.

PERSUADE® CURV

Technical Information

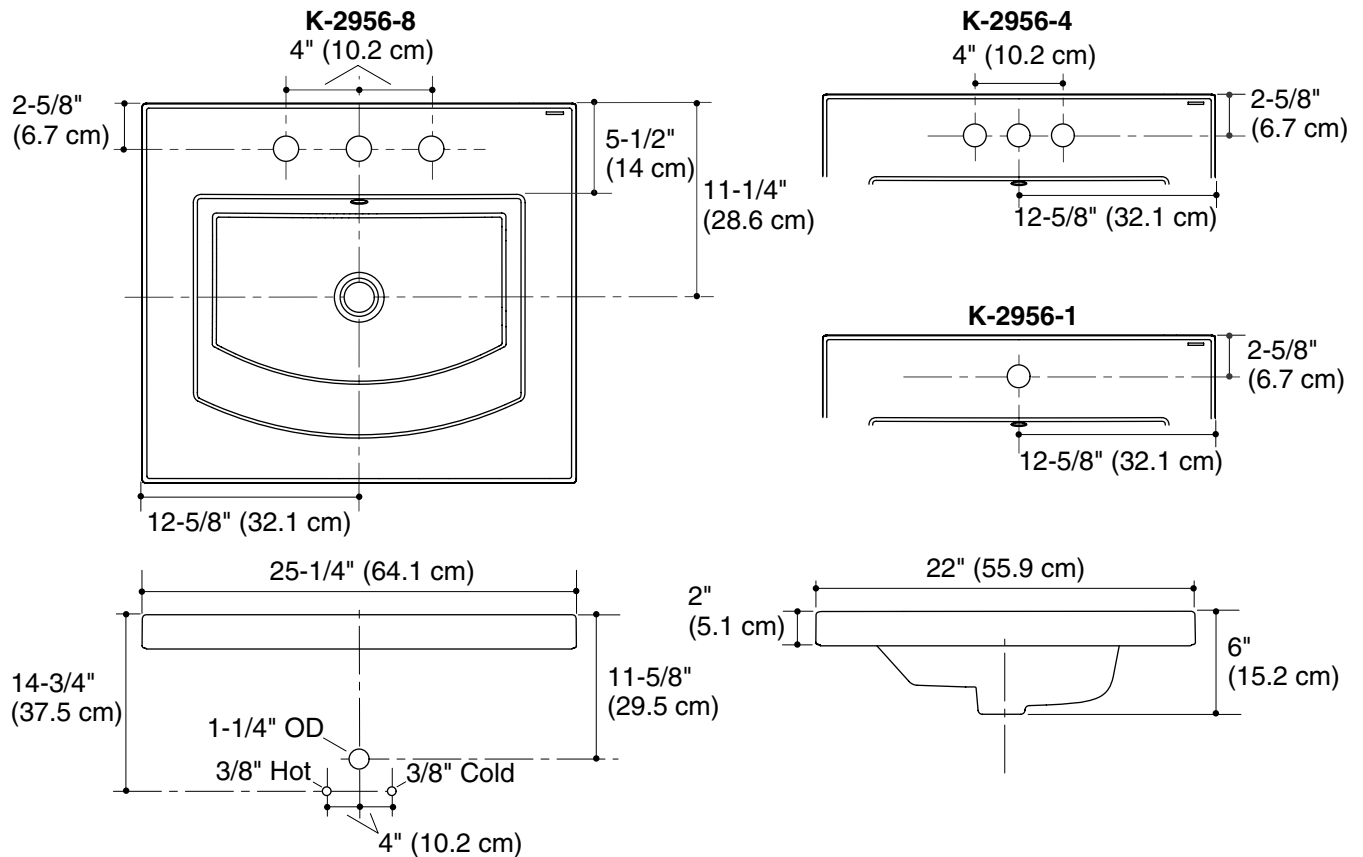
Fixture*:			
Basin area	18-13/16" (47.8 cm) x 13-7/8" (35.2 cm)		
Water depth	2-1/2" (6.4 cm)		
Drain hole	1-3/4" (4.4 cm) D.		
* Approximate measurements for comparison only.			
Holes	K-2956-1	K-2956-4	K-2956-8
Spout	1-3/8" (3.5 cm) D.	1-1/4" (3.2 cm) D.	1-3/8" (3.5 cm) D.
Faucet		1-1/4" (3.2 cm) D.	1-3/8" (3.5 cm) D.
Included components:			
Cut-out template	1139967-7		

Installation Notes

Install this product according to the installation guide.

NOTICE: Countertop manufacturer or cutter **must** use the cut-out template provided with the product, or a current one provided by Kohler (call 1-800-4-KOHLER). Kohler is not responsible for cutout errors when incorrect cut-out template is used.

NOTE: This lavatory is also designed for installation to the K-2526, K-2527 and K-2529 vanities.



Product Diagram