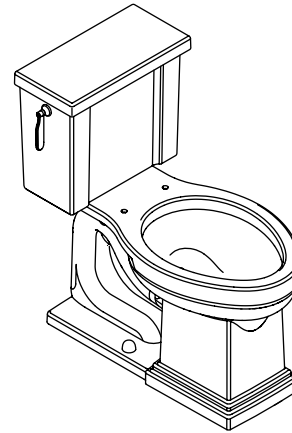


COMFORT HEIGHT® TOILET K-3950

ADA

Features

- Vitreous china
- Elongated bowl
- Comfort Height®
- Class Five® flushing system
- Polish chrome trip lever
- Less seat and supply
- 12" (30.5 cm) rough-in
- 1.28 gpf (4.8 lpf)
- 2-1/8" (5.4 cm) glazed trapway
- 11-1/2" (29.2 cm) x 9" (22.9 cm) water area
- 30-1/4" (76.8 cm) x 16-5/8" (42.2 cm) x 31-1/4" (79.4 cm)



Codes/Standards Applicable

Specified model meets or exceeds the following:

- ADA
- ICC/ANSI A117.1
- ASME A112.19.2/CSA B45.1
- Energy Policy Act of 1992

Colors/Finishes

- 0: White
- Other: Refer to Price Book for additional colors/finishes

Accessories

- 0: White
- CP: Polished Chrome
- Other: Refer to Price Book for additional colors/finishes

Specified Model

Model	Description	Trip Lever	Colors/Finishes	
K-3950	Comfort Height® toilet	left-hand	<input type="checkbox"/> 0	<input type="checkbox"/> Other_____
Recommended Accessories				
K-7637	Angle supply with stop – 3/8" NPT		<input type="checkbox"/> CP	<input type="checkbox"/> Other_____
K-4650	Lustra™ elongated open-front toilet seat - for Accessibility compliance	<input type="checkbox"/> 0		<input type="checkbox"/> Other_____
K-4774	Brevia™ elongated toilet seat	<input type="checkbox"/> 0		<input type="checkbox"/> Other_____
Optional Accessories				
K-9375	Left-hand trip lever (non-CP)			<input type="checkbox"/> Other_____

Product Specification

The elongated bowl toilet shall be made of vitreous china. Toilet shall be 30-1/4" (76.8 cm) in length, 16-5/8" (42.2 cm) in width, and 31-1/4" (79.4 cm) in height with a 11-1/2" (29.2 cm) x 9" (22.9 cm) water area. Toilet shall have a 12" (30.5 cm) rough-in, and 2-1/8" (5.4 cm) glazed trapway. Toilet shall be 1.28 gpf (4.8 lpf) with Class Five® flushing system. Toilet shall include polish chrome trip lever. Toilet shall be less seat and supply. Toilet shall be Kohler Model K-3950-_____.

TRESHAM™

Technical Information

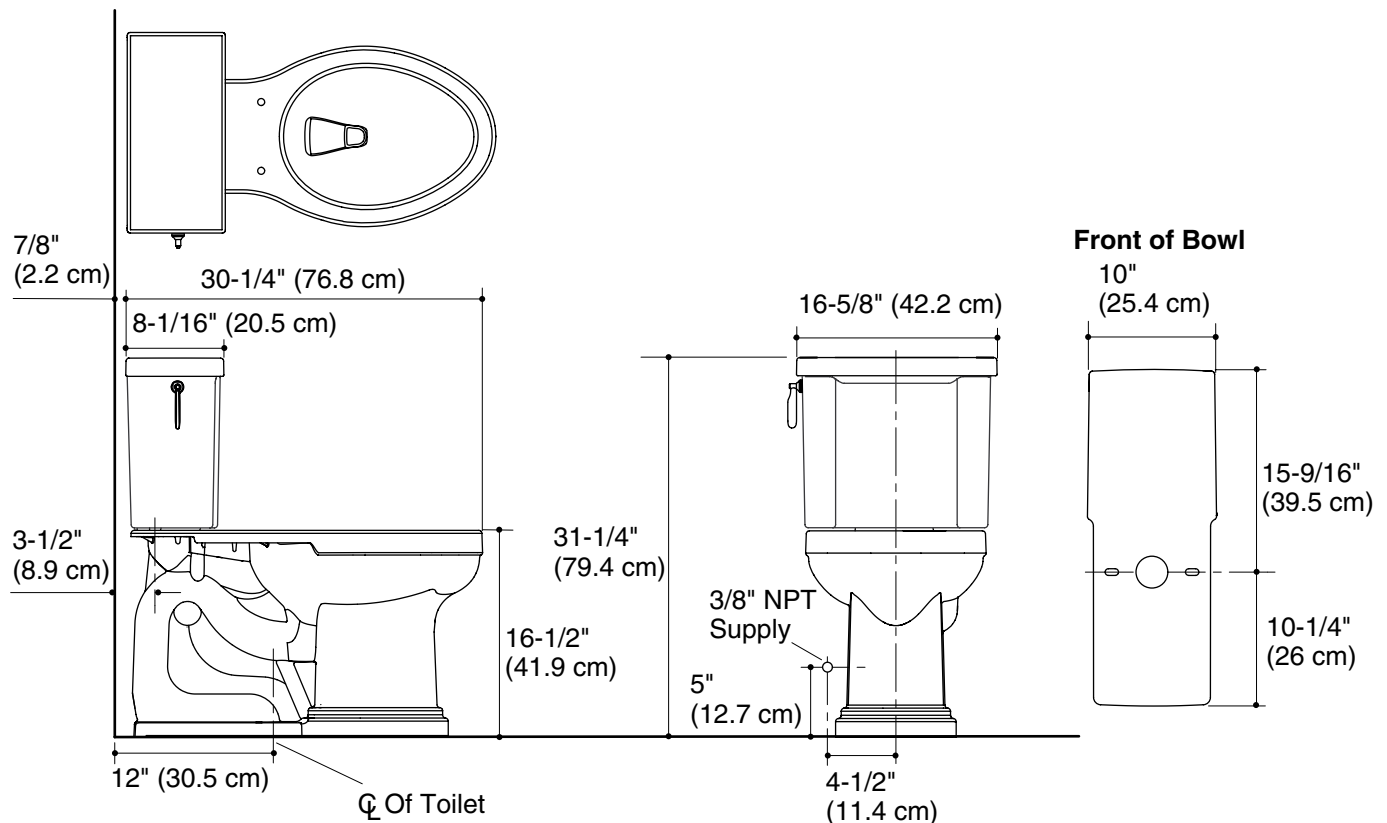
Fixture:	
Configuration	two-piece, elongated
Water per flush	1.28 gpf (4.8 lpf)
Passageway	2-1/8" (5.4 cm)
Water area	11-1/2" (29.2 cm) x 9" (22.9 cm)
Water depth from rim	5-3/8" (13.7 cm)
Seat post hole centers	5-1/2" (14 cm)

Included components:	
Bowl	K-4799
Tank	K-4899
Tank cover	1146775
Trip lever	1161319
Tank accessory pack	84581
Bolt cap accessory pack	1013092

Installation Notes

Install this product according to the installation guide.

Will comply with the American Disabilities Act (**ADA**) when installed per the requirements of the Accessibility Guidelines, Section 604 Water Closets, of the Act. The Model Plumbing Codes require the installation of elongated open-front toilet seats in public bathrooms.



Product Diagram