

Features

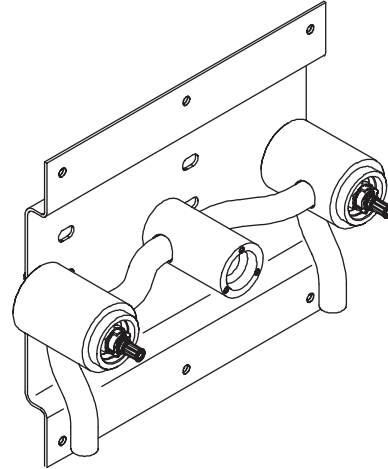
- Dual control wall-mounted
- Brass construction
- 2.2 gallons (8.3 L) per minute [max at 60 psi (4.14 bar)]

Codes/Standards Applicable

Specified model meets or exceeds the following:

- ASME A112.18.1
- CSA B125
- Energy Policy Act of 1992 (EPACT)
- IAPMO/UPC
- NSF 61

**WALL-MOUNT VALVE
K-410-K**



Colors/Finishes

- NA: None applicable

Specified Model:

Model	Description	Colors/Finishes
K-410-K	Wall-Mount Valve	<input type="checkbox"/> NA

PRODUCT SPECIFICATION

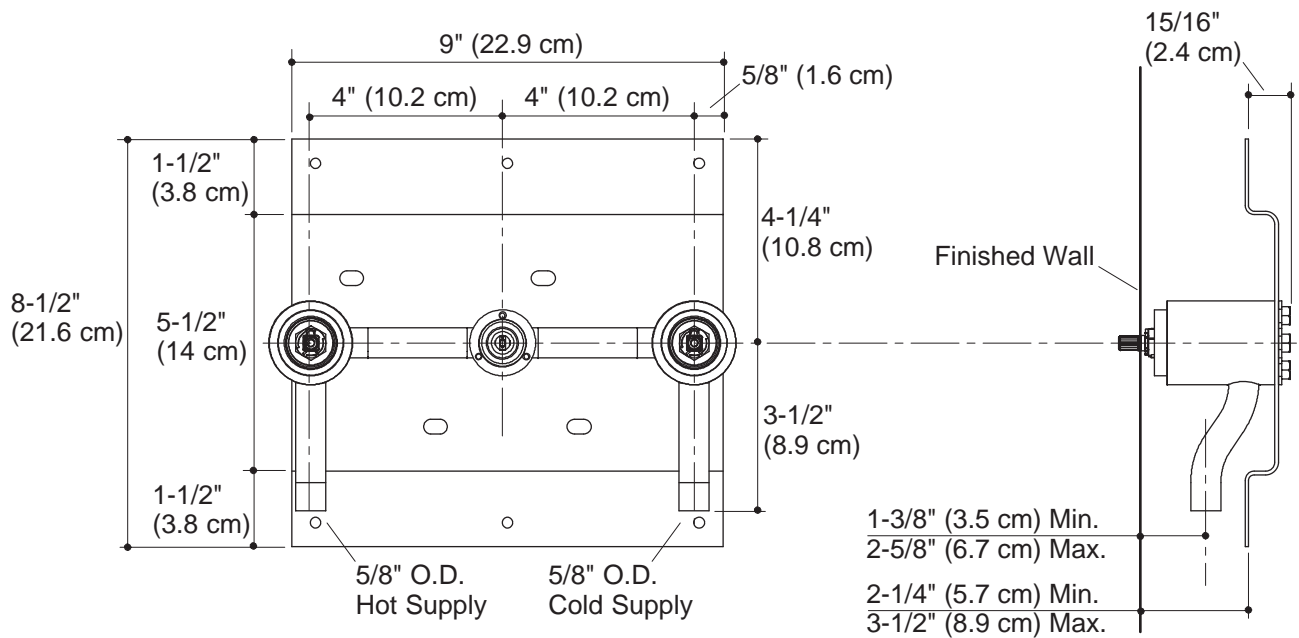
Dual-control wall-mount faucet shall be of brass construction. Valve shall be Kohler Model K-410-K-NA.

Installation Notes

Install this product according to the installation guide.

Three 1-1/2" (3.8 cm) D. cut-out holes required for spout and handles.

Follow the installation dimensions precisely as there is no deep roughing-in kit available for this product.



Product Diagram