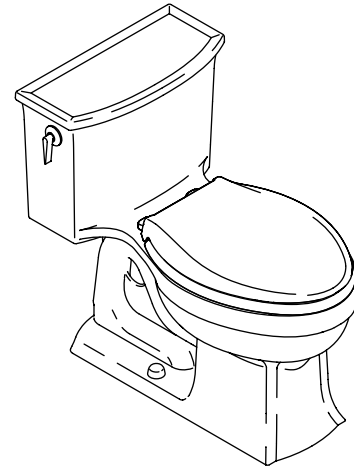


Features

- Vitreous china
- One-piece
- Elongated bowl
- Class Five® flushing system
- Includes seat and cover
- Less supply
- 12" (30.5 cm) rough-in
- 1.28 gpf (4.85 lpf)
- 2-1/8" (5.4 cm) glazed trapway
- 11-1/2" (29.2 cm) x 8-3/8" (21.3 cm) water area
- 29" (73.7 cm) x 17-3/4" (45.1 cm) x 26-1/4" (66.7 cm)



Codes/Standards Applicable

Specified model meets or exceeds the following:

- ASME A112.19.2
- Energy Policy Act of 1992

Colors/Finishes

- 0: White
- Other: Refer to Price Book for additional colors/finishes

Accessories

- CP: Polished Chrome
- PB: Vibrant® Polished Brass
- Other: Refer to Price Book for additional colors/finishes

Specified Model

Model	Description	Trip Lever	Colors/Finishes	
K-3639	Toilet	left-hand	<input type="checkbox"/> 0	<input type="checkbox"/> Other_____
Recommended Accessories				
K-7637	Angle supply with stop		<input type="checkbox"/> CP	<input type="checkbox"/> PB <input type="checkbox"/> Other_____
Optional Accessories				
K-11069	Left-hand trip lever – non-CP		<input type="checkbox"/> PB	<input type="checkbox"/> Other_____

Product Specification

The one-piece elongated bowl toilet shall be made of vitreous china. Toilet shall be 29" (73.7 cm) in length, 17-3/4" (45.1 cm) in width, and 26-1/4" (66.7 cm) in height with a 11-1/2" (29.2 cm) x 8-3/8" (21.3 cm) water area. Toilet shall be 12" (30.5 cm) rough-in with a 2-1/8" (5.4 cm) glazed trapway. Toilet shall feature a 1.28 gpf (4.85 lpf) and Class Five flushing system. Toilet shall include seat and cover. Toilet shall be less supply. Toilet shall be Kohler Model K-3639-_____.

ARCHER™

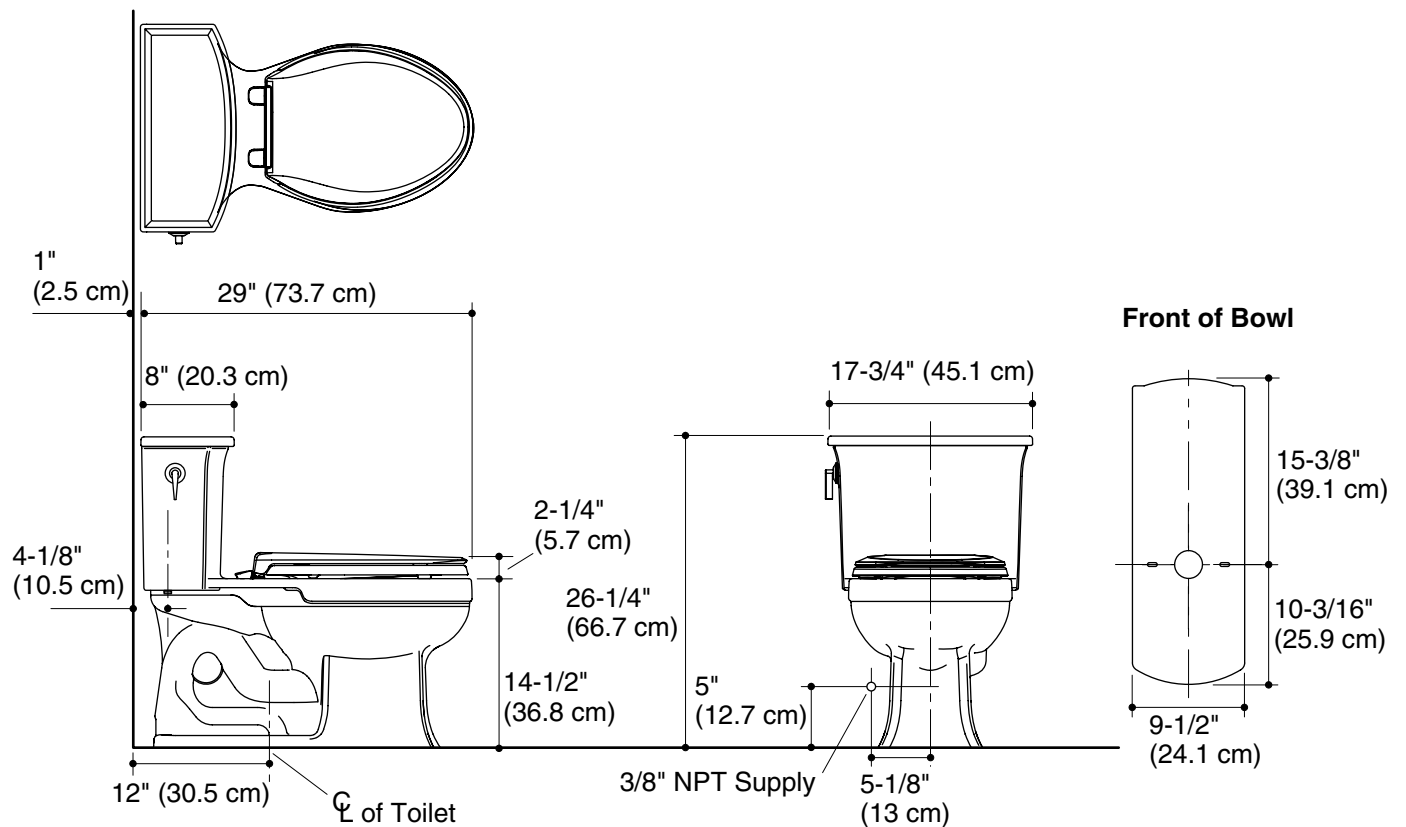
Technical Information

Fixture:	
Configuration	one-piece, elongated
Water per flush	1.28 gal (4.85 L)
Passageway	2-1/8" (5.4 cm)
Water area	11-1/2" (29.2 cm) x 8-3/8" (21.3 cm)
Water depth from rim	5-1/4" (13.3 cm)
Seat post hole centers	5-1/2" (14 cm)

Included components:	
Seat	K-4636
Tank cover	1046467
Left-hand trip lever	1067577
Bolt cap accessory pack	52048
Tank accessory pack	52265

Installation Notes

Install this product according to the installation guide.



Product Diagram