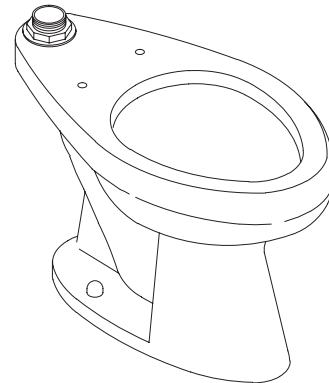


FEATURES

- 10" (25.4cm) or 12" (30.5cm) rough-in
- 1-1/2" (3.8cm) top spud
- Vitreous china
- Elongated bowl
- 1.6 gpf (6 lpf)
- 2-1/4" (5.7cm) passageway
- 11-3/8" (28.9cm) x 10-3/8" (26.4cm) water area
- 17-1/2" (44.5cm) high bowl is ADA compliant
- With bedpan lugs (-L)



CODES/STANDARDS APPLICABLE

Specified model meets or exceeds the following:

- ADA
- ASME/ANSI A112.19.2M
- ASME/ANSI A112.19.6M
- CABO/ANSI A117.1
- Energy Policy Act of 1992 (EPACT)
- CSA International B45
- IAPMO/UPC
- States of Massachusetts, New York, & Texas
- City of Los Angeles, CA.

COLORS/FINISHES

- 0 White
- Other Refer to Fixtures Price Book for additional colors

Accessories:

- 0 White
- Other Refer to Fixtures Price Book for additional colors

SPECIFIED MODEL:

Model	Description	Colors/Finishes	
K-4368	Elongated bowl toilet	<input type="checkbox"/> 0 White	<input type="checkbox"/> Other_____
K-4368-L	Elongated bowl toilet with bedpan lugs	<input type="checkbox"/> 0 White	<input type="checkbox"/> Other_____

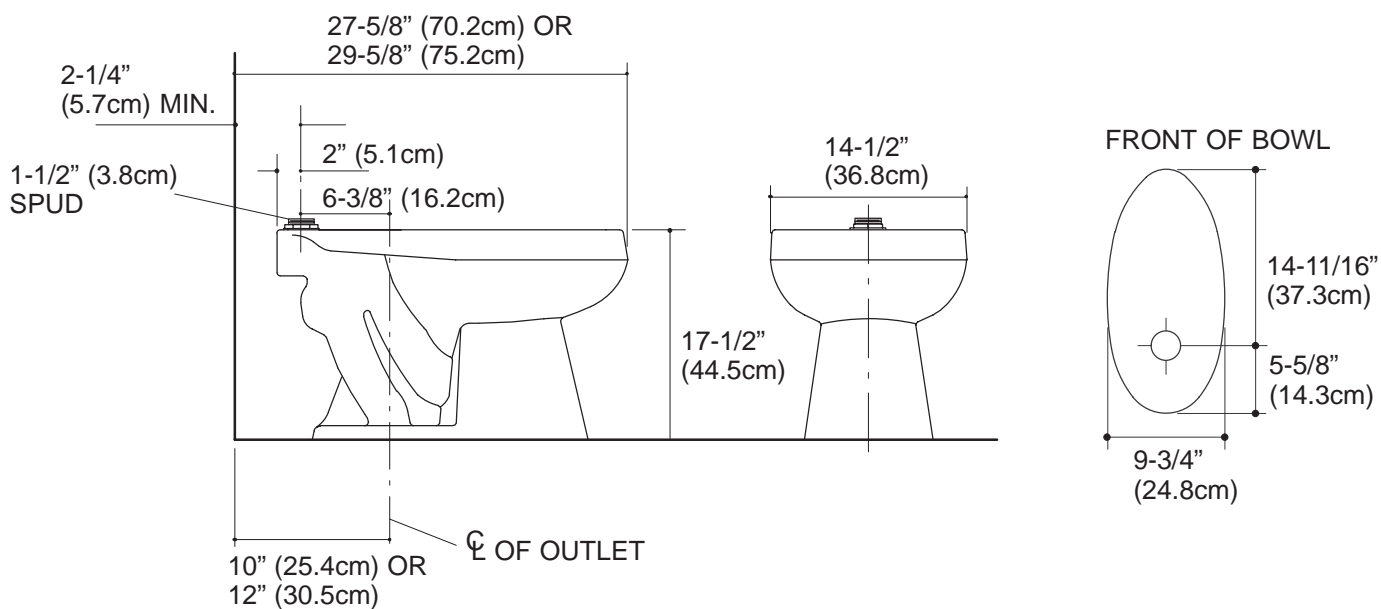
Recommended Accessories			
K-4670-C	Lustra™ open front seat	<input type="checkbox"/> 0 White	<input type="checkbox"/> Other_____
K-4654	Lustra™ open front seat with support arms and cover	<input type="checkbox"/> 0 White	
K-4670-CA	Lustra™ open front seat (with anti-microbial agent)	<input type="checkbox"/> 0 White	
K-4654-A	Lustra™ open front seat with support arms and cover (with anti-microbial agent)	<input type="checkbox"/> 0 White	

PRODUCT SPECIFICATION:

The elongated bowl shall be 10" (25.4cm) or 12" (30.5cm) rough-in with 1-1/2" (3.8cm) top spud. Bowl shall be made of vitreous china. Bowl shall be 1.6 gpf (6 lpf). Bowl shall have 11-3/8" (28.9cm) x 10-3/8" (26.4cm) water area. Bowl shall have 2-1/4" (5.7cm) passageway. Bowl shall be ADA compliant with 17-1/2" (44.5cm) high bowl. Bowl shall have bedpan lugs (-L). Toilet shall be Kohler Model K-4368-_____ - _____.

PRODUCT INFORMATION

ADA compliant.	
Fixture:	
Configuration	Top spud, elongated
Water per flush	1.6 gallons* (6L)
Spud size	1-1/2" (3.8cm)
Passageway	2-1/4" (5.7cm)
Water area	11-3/8" (28.9cm) x 10-3/8" (26.4cm)
Water depth from rim	6" (15.2cm)
Seat post hole centers	5-1/2" (14cm)
* Designed to flush with gallons of water when installed with a 1.6 gallon (6L) flush valve.	
Included Components:	
Spud	18357
Bolt cap accessory pack	52048
Flush valve requirements: For 12" (30.5cm) rough-in, sweat extension nipple is required. Refer to manufacturer and local codes.	



PRODUCT DIAGRAM