

Features

- Metal construction
- Quarter-turn washerless ceramic disc valves
- Pop-up drain with tailpiece
- For 8" (20.3 cm) to 16" (40.6 cm) centers
- 4" (10.2 cm) spout reach
- 1.5 gpm (5.7 lpm) maximum flow rate

**WIDESPREAD LAVATORY FAUCET
K-45102**

ADA

CSA B651

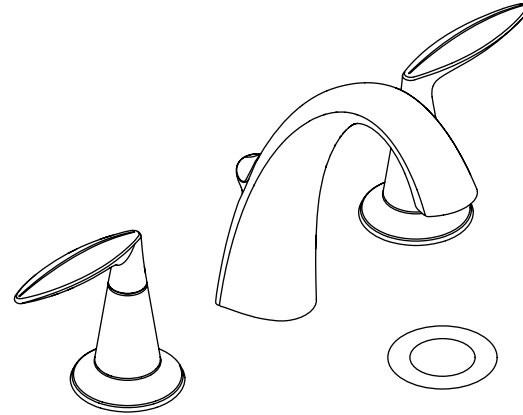
OBC



Codes/Standards Applicable

Specified model meets or exceeds the following at date of manufacture:

- ADA
- ICC/ANSI A117.1
- CSA B651
- OBC
- ASME A112.18.1/CSA B125.1
- NSF 61
- All applicable US Federal and State material regulations
- EPA WaterSense®



Colors/Finishes

- CP: Polished Chrome
- Other: Refer to Price Book for additional colors/finishes

Specified Model:

Model	Description	Color/Finish	
K-45102-4	Widespread lavatory faucet with metal drain	<input type="checkbox"/> CP	<input type="checkbox"/> Other _____

PRODUCT SPECIFICATION

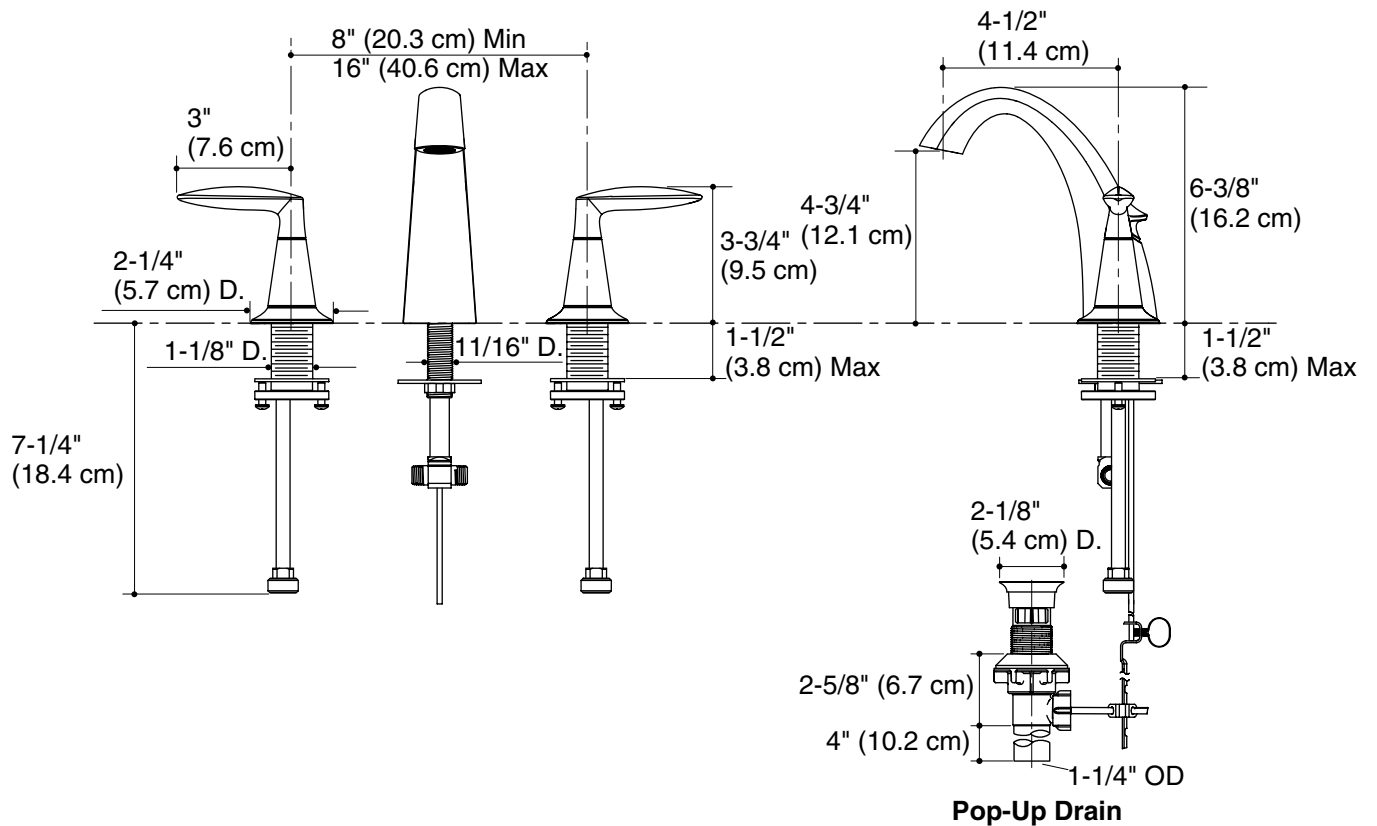
Two-handle widespread lavatory faucet shall be made of metal construction. Faucet shall feature quarter-turn washerless ceramic disc valves. Faucet shall have a 1.5 gallons (5.7 L) per minute maximum flow rate. Product shall be for 8" (20.3 cm) to 16" (40.6 cm) centers. Faucet shall feature a 4-1/2" (11.4 cm) spout reach, pop-up drain with tailpiece, and lever handles. Faucet shall be Kohler Model K-45102-4-_____.

ALTEO™

Installation Notes

Install this product according to the installation guide.

ADA, CSA B651, OBC compliant when installed to the specific requirements of these regulations.



Product Diagram