

Features

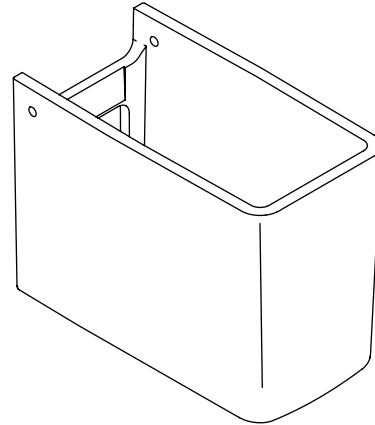
- Fireclay
- Intended for use with Reve lavatories [K-5026, K-5027]

Codes/Standards Applicable

Specified model meets or exceeds the following:

- ASME A112.19.2/CSA B45.1

SHROUD AND PEDESTAL K-5031 ALSO K-5032



Colors/Finishes

- 0: White
- Other: Refer to Price Book for additional colors/finishes

Specified Model

Model	Description	Colors/Finishes	
K-5031	Shroud (shown)	<input type="checkbox"/> 0	<input type="checkbox"/> Other ____
K-5032	Pedestal	<input type="checkbox"/> 0	<input type="checkbox"/> Other ____

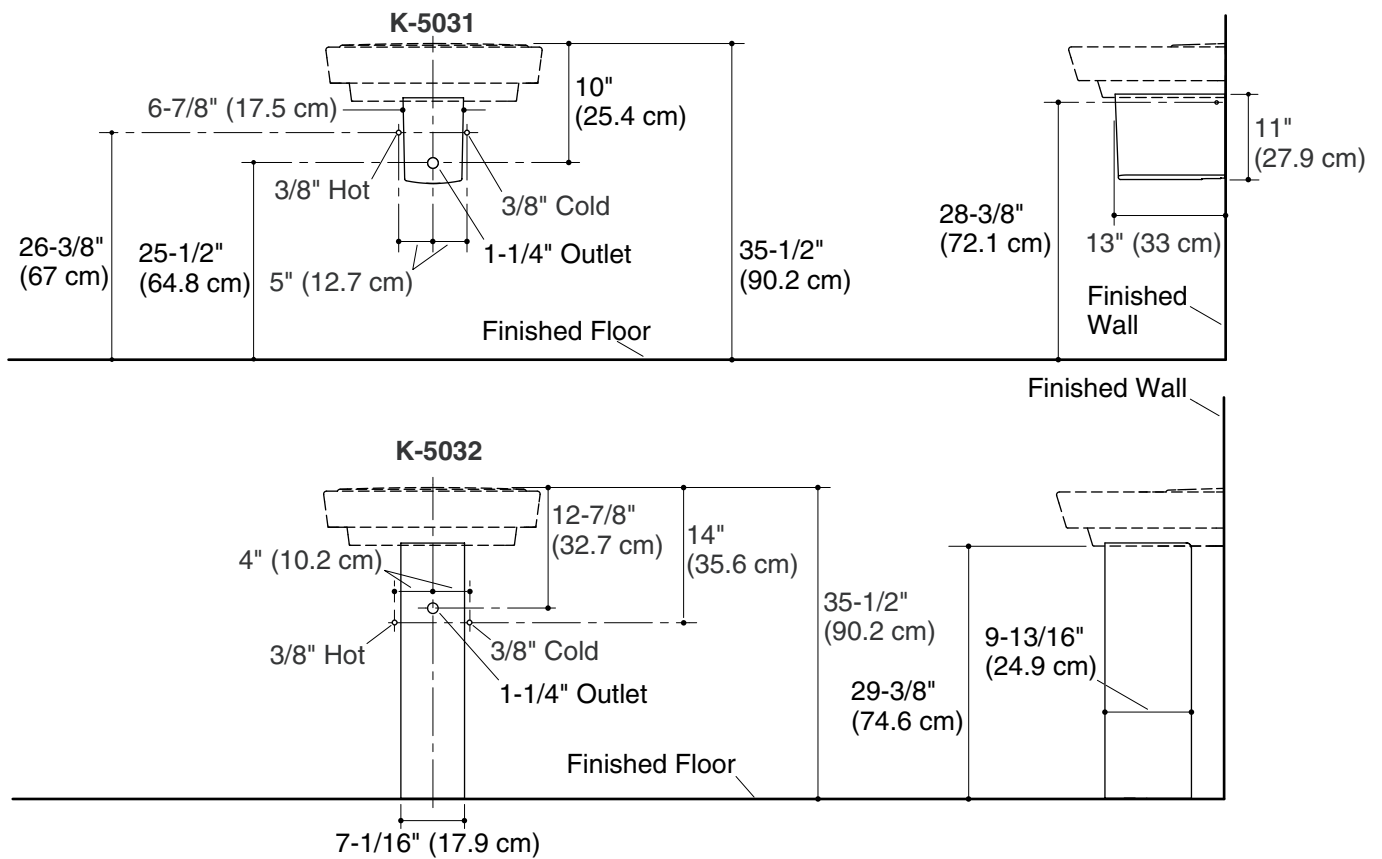
Recommended Lavatories			
K-5026-1	Lavatory – 39-3/8" (100 cm) length, single-hole	<input type="checkbox"/> 0	<input type="checkbox"/> Other
K-5026-8	Lavatory – 39-3/8" (100 cm) length, 8" (20.3 cm) centers	<input type="checkbox"/> 0	<input type="checkbox"/> Other
K-5027-1	Lavatory – 23-5/8" (60 cm) length, single-hole	<input type="checkbox"/> 0	<input type="checkbox"/> Other
K-5027-8	Lavatory – 23-5/8" (60 cm) length, 8" (20.3 cm) centers	<input type="checkbox"/> 0	<input type="checkbox"/> Other

Product Specification

The shroud and pedestal shall be made of fireclay. Product shall be intended for use with Reve lavatories [K-5026, K-5027]. Shroud shall be Kohler Model K-5031-____ and pedestal shall be Kohler Model K-5032-____ .

Installation Notes

Install this product according to the installation guide.



Product Diagram