

FEATURES

- Exposed trapway
- Ingenium™ flushing system
- 12" (30.5cm) rough-in
- Vitreous china
- Elongated bowl
- Comfort height
- 1.6 gpf (6 lpf) performance compared to 3.5 gpf (13lpf) models
- 2" (5.1cm) glazed trapway
- 11-1/8" (28.3cm) x 9-1/2" (24.1cm) water area
- Includes polished chrome trip lever
- Combination toilet
- 16-1/2" (41.9cm) high bowl is ADA compliant
- Less seat and supply
- With right hand trip lever (-RA)

CODES/STANDARDS APPLICABLE

Specified model meets or exceeds the following:

- ADA
- ASME/ANSI A112.19.2M
- Energy Policy Act of 1992 (EPACT)
- IAPMO/UPC
- Canadian Standards Association (CSA)

COLORS/FINISHES

- 0 White
- Other Refer to Fixtures Price Book for additional colors

Accessories:

- CP Polished Chrome
- PB Polished Brass
- Other Refer to Price Book for additional colors

SPECIFIED MODEL:

Model	Description	Colors/Finishes	
K-3485	Elongated front bowl toilet (left hand trip lever)	<input type="checkbox"/> 0 White	<input type="checkbox"/> Other_____
K-3485-RA	Elongated front bowl toilet (right hand trip lever)	<input type="checkbox"/> 0 White	<input type="checkbox"/> Other_____

Recommended Accessories			
K-4664	Brevia™ seat with cover	<input type="checkbox"/> 0 White	<input type="checkbox"/> Other_____
K-7637	Angle supply with stop	<input type="checkbox"/> CP	<input type="checkbox"/> PB
21401	Floor bolts (pr.)		
Optional Accessories			
K-9438	Trip lever for K-3485 (non-CP)	<input type="checkbox"/> PB	<input type="checkbox"/> Other_____

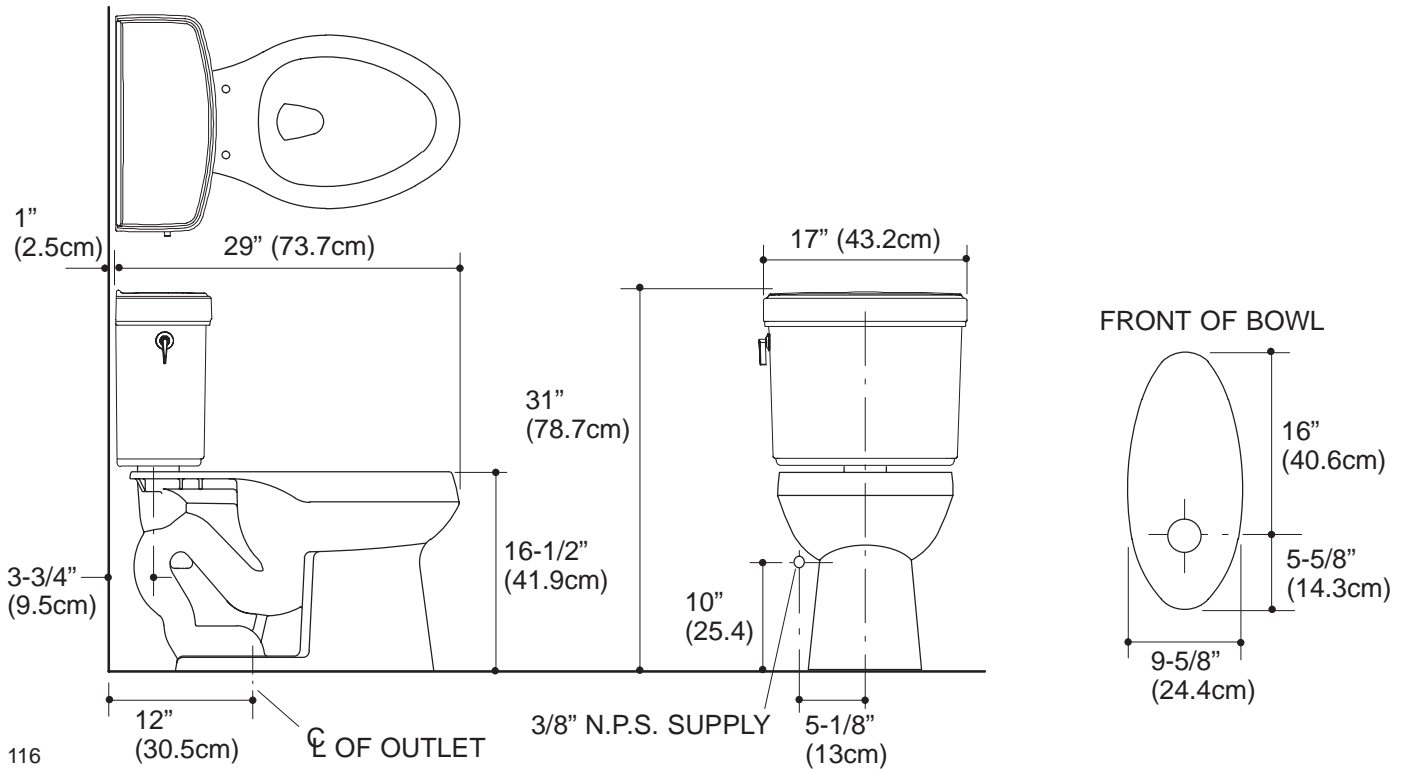
PRODUCT SPECIFICATION:

The elongated toilet combination shall be 12" (30.5cm) rough-in. Toilet shall be made of vitreous china. Toilet shall be at comfort height. Toilet shall be 1.6 gpf (6 L). Toilet shall have 2" (5.1cm) glazed trapway. Toilet shall have 11-1/8" (28.3cm) x 9-1/2" (24.1cm) water area. Toilet shall have Kohler Ingenium™ flushing system. Toilet shall include polished chrome trip lever. Toilet shall be ADA compliant with 16-1/2" (41.9cm) high bowl. Toilet shall be less seat and supply. Toilet shall include right hand trip lever (-RA) option. Toilet shall be Kohler Model K-3485-_____.

PINOIR® COMFORT HEIGHT™

PRODUCT INFORMATION

ADA compliant.	
Fixture:	
Configuration	2-piece, elongated
Water per flush	1.6 gallons (6 L)
Passageway	2" (5.1cm)
Water area	11-1/8" (28.3cm) x 9-1/2" (24.1cm)
Water depth from rim	6" (15.2cm)
Seat post hole centers	5-1/2" (14cm)
Included Components:	
Bowl	K-4274
Tank	K-4609
Tank cover	1015137
Trip lever, left hand	85085
Trip lever, right hand	1007913



PRODUCT DIAGRAM