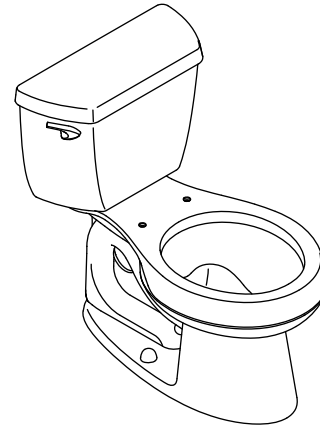




Features

- Vitreous china
- Round bowl
- Class Five® flushing system
- Polished chrome trip lever
- Less supply
- 12" (305 mm) rough-in
- 1.28 gpf (4.8 lpf)
- 2-1/8" (54 mm) glazed trapway
- Optional tank cover locks
- 10-1/2" (267 mm) x 7-3/4" (197 mm) water area
- 27-1/2" (699 mm) x 19-5/8" (498 mm) x 28-1/4" (718 mm)



Codes/Standards Applicable

Specified model meets or exceeds the following:

- ASME A112.19.2/CSA B45.1
- EPA WaterSense®

Colors/Finishes

- 0: White
- Other: Refer to Price Book for additional colors/finishes

Accessories

- 0: White
- CP: Polished Chrome
- PB: Vibrant® Polished Brass
- Other: Refer to Price Book for additional colors/finishes

Specified Model

Model	Description	Trip Lever	Colors/Finishes	
K-3577	Class Five toilet	left-hand	<input type="checkbox"/> 0	<input type="checkbox"/> Other _____
K-3577-RA	Class Five toilet	right-hand	<input type="checkbox"/> 0	<input type="checkbox"/> Other _____
K-3577-T	Class Five toilet - with tank cover locks	left-hand	<input type="checkbox"/> 0	<input type="checkbox"/> Other _____
K-3577-TR	Class Five toilet - with tank cover locks	right-hand	<input type="checkbox"/> 0	<input type="checkbox"/> Other _____

Product Specification

The round-front bowl toilet shall be made of vitreous china. Toilet shall be 27-1/2" (699 mm) in length, 19-5/8" (498 mm) in width, and 28-1/4" (718 mm) in height with a 10-1/2" (267 mm) by 7-3/4" (197 mm) water area. Toilet shall be 1.28 gpf (4.8 lpf) with Class Five® flushing system. Toilet shall have 2-1/8" (54 mm) glazed trapway. Toilet shall include polished chrome trip lever. Toilet shall be 12" (305 mm) rough-in and less supply. Toilet shall feature optional tank cover locks. Round-front bowl toilet shall be Kohler Model K-3577-____ or K-3577-____-_____.

WELLWORTH®

Recommended Accessories

K-4658	Brevia™ seat with cover	<input type="checkbox"/> 0	<input type="checkbox"/> Other_____
K-4689	Cachet® seat with cover	<input type="checkbox"/> 0	<input type="checkbox"/> Other_____
K-7637	Angle supply with stop – 3/8" NPT	<input type="checkbox"/> CP	<input type="checkbox"/> PB <input type="checkbox"/> Other_____

Technical Information

Fixture:	
Configuration	two-piece, round-front
Water per flush	1.28 gpf (4.8 lpf)
Passageway	2-1/8" (54 mm)
Water area	10-1/2" (267 mm) x 7-3/4" (197 mm)
Water depth from rim	5-1/4" (133 mm)
Seat post hole centers	5-1/2" (140 mm)

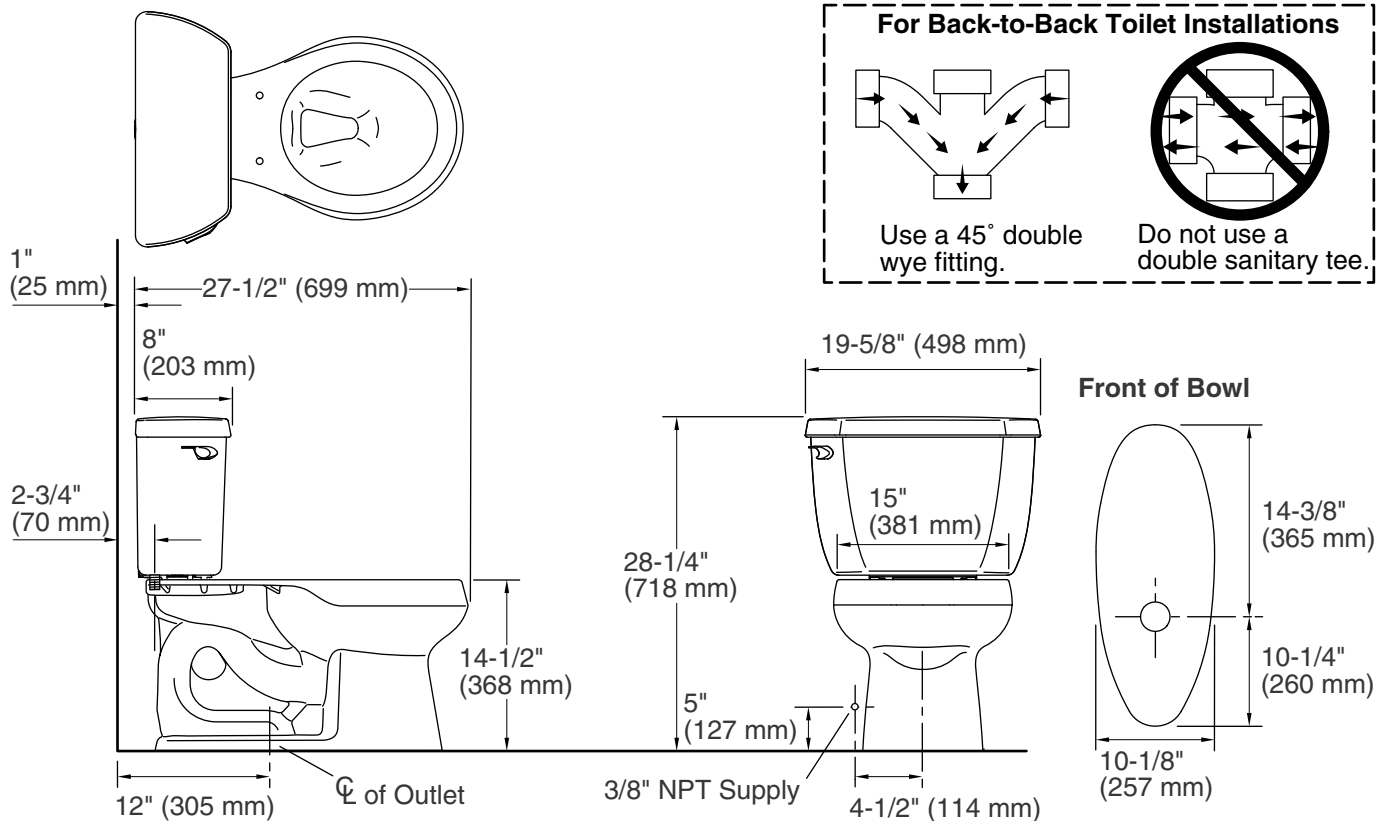
Included components:

Bowl	K-4197
Tank	K-4436
Tank cover	84591
Trip lever	K-9380
Bolt cap accessory pack	1013092

Installation Notes

Install this product according to the installation guide.

For back-to-back toilet installations: Use only a 45° double wye fitting.



Product Diagram