

**BATH FILLER SPOUT SHANK
K-411-K**

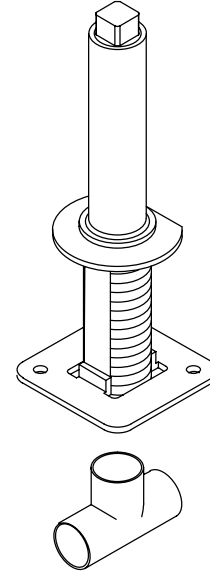
FEATURES

- *Brass construction*
- *Bath- or deck-mount*

CODES/STANDARDS APPLICABLE

Specified model meets or exceeds the following:

- *ASME/ANSI A112.18.1M*
- *CSA International B125*
- *IAPMO/UPC*



COLORS/FINISHES

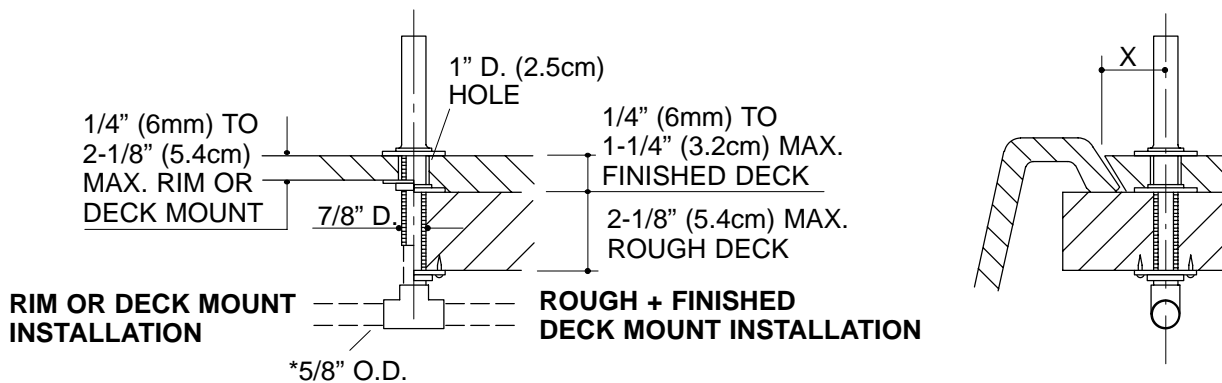
- NA Not applicable

SPECIFIED MODEL: For complete faucet, both faucet trim and valve system must be specified.

Model	Description	
K-411-K	Bath Filler Spout Shank	<input type="checkbox"/> NA

PRODUCT SPECIFICATION:

Bath- or deck-mount Bath Filler Spout Shank shall be of brass construction. Bath Filler Spout Shank shall be Kohler Model K-411-K-NA.



Roughing-In Notes

*Dashed lines indicate items to be supplied by installer.

X= Distance from centerline of spout inlet to front of spout base plus 1/2" (1.3cm)

For installations on a rough (unfinished) deck to be covered later with tile, the tile thickness must not exceed 1-1/4" (3.2cm).

PRODUCT DIAGRAM