

**HANDSHOWER  
K-419**

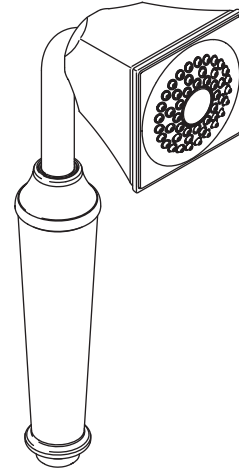
**Features**

- 2.5 gallons (9.5 L) per minute
- Complements Memoirs® Suite
- Single-function spray

**Codes/Standards Applicable**

Specified model meets or exceeds the following:

- ASME A112.18.1
- CSA B125
- IAPMO/UPC



**Colors/Finishes**

- CP: Polished Chrome
- Other: Refer to Price Book for additional colors/finishes

**Specified Model**

Model	Description	Colors/Finishes	
K-419	Handshower	<input type="checkbox"/> CP	<input type="checkbox"/> Other ____
<b>Required Accessory</b>		U	
K-9514	60" (152.4 cm) metal shower hose	<input type="checkbox"/> CP	

**Product Specification**

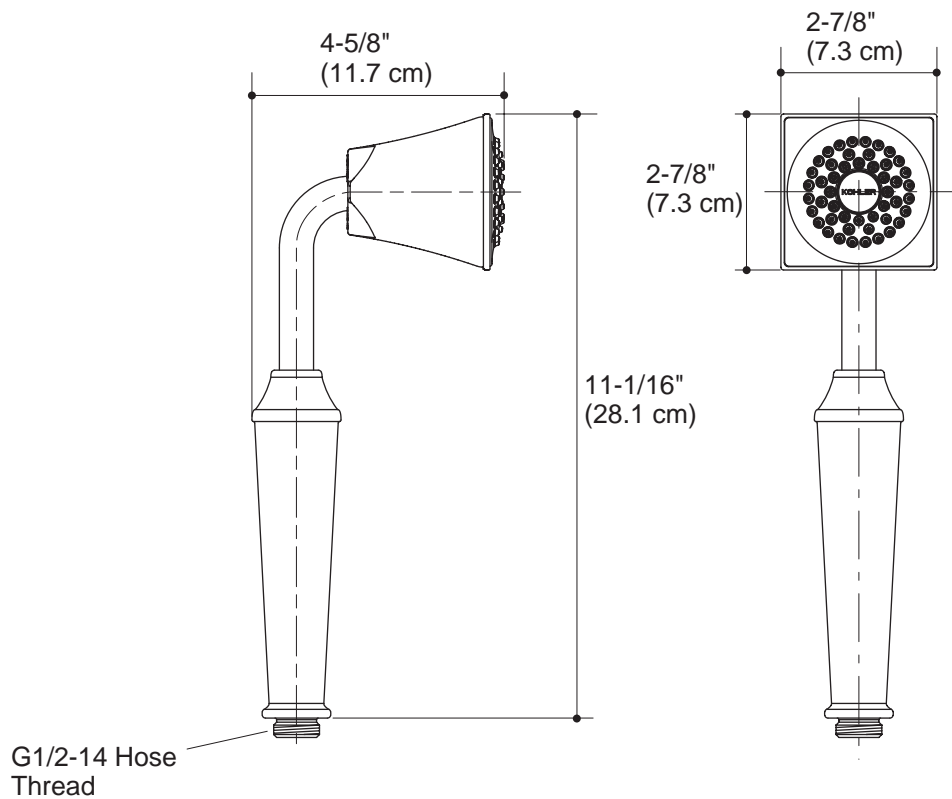
Handshower shall have single-function spray. Handshower shall complement the Memoirs® Suite. Handshower shall have a 2.5 gallon (9.5 L) flow rate. Product shall be Kohler Model K-419-\_\_\_\_\_.

# MEMOIRS®

## Installation Notes

Install this product according to the installation guide.

Plumbing codes require an atmospheric vacuum breaker (such as Kohler Model K-9660) be installed in-line with handshowers. Please consult with local plumbing officials.



## Product Diagram