

Product Information

Applicable product:	
2-hole (oversized) sink	K-5848-2U
Fixture*:	
Bowl area	16" (406 mm) x 17" (432 mm)
Water depth	9" (229 mm)
Drain hole	Ø 3-7/8" (98 mm)
Faucet holes	Ø 2-3/8" (60 mm)
* Approximate measurements for comparison only.	
Optional accessories:	
Hardwood cutting board	K-3294
Wire rack	K-6009
Included component:	
Cut-out template	114713-7

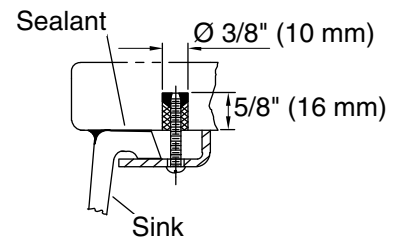
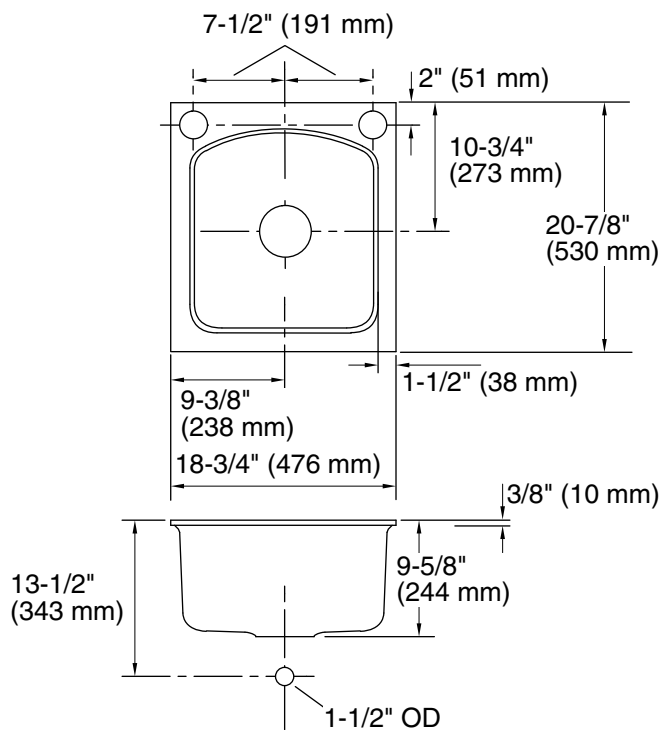
Installation Notes

Install this product according to the installation guide.

Supplied basin clamp assemblies require 1" (25 mm) minimum countertop thickness. Installer must supply hardware for thinner countertops.

For multiple bowl under-mount installations, a minimum distance of 3-3/8" (86 mm) is required between bowls. Countertop supplier to determine required support.

Fixture conforms to ASME Standard A112.19.1/CSA B45.2. All dimensions are nominal.



Solid-Surface Installation

