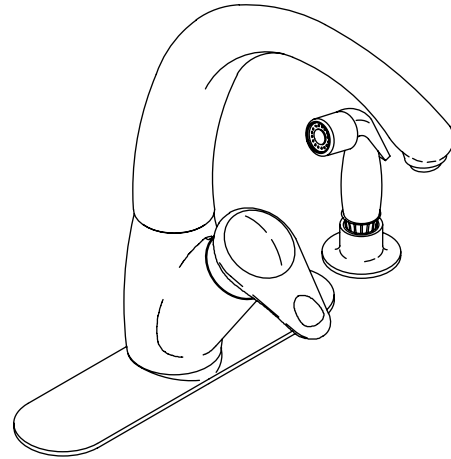


**KITCHEN SINK FAUCET
K-6356**

Features

- Brass construction
- Temperature memory allows faucet to be turned on and off at any temperature setting
- High-temperature limit stop for added safety
- One-piece, self-contained ceramic disc valve allows both volume and temperature control
- 2.2 gpm (8.3 lpm) flow rate
- Lower flow aerator options are available (refer to the Kohler Price Book)
- Handspray
- 10-1/2" (26.7 cm) escutcheon plate for three-hole installation
- Front lever handle
- 9" (22.9 cm) gooseneck swing spout



Codes/Standards Applicable

Specified model meets or exceeds the following:

- ASME A112.18.1/CSA B125.1
- IAPMO/UPC
- NSF 61
- Energy Policy Act of 1992 (EPACT)
- ADA

Colors/Finishes

- CP: Polished Chrome
- Other: Refer to Price Book for additional colors/finishes

Specified Model

| Model | Description | Colors/Finishes | |
|--|------------------------------------|-----------------------------|-------------------------------------|
| K-6356 | Kitchen sink faucet with handspray | <input type="checkbox"/> CP | <input type="checkbox"/> Other ____ |
| Note: Almond and polished chrome faucets have a black handspray with matching finish trim ring. | | | |

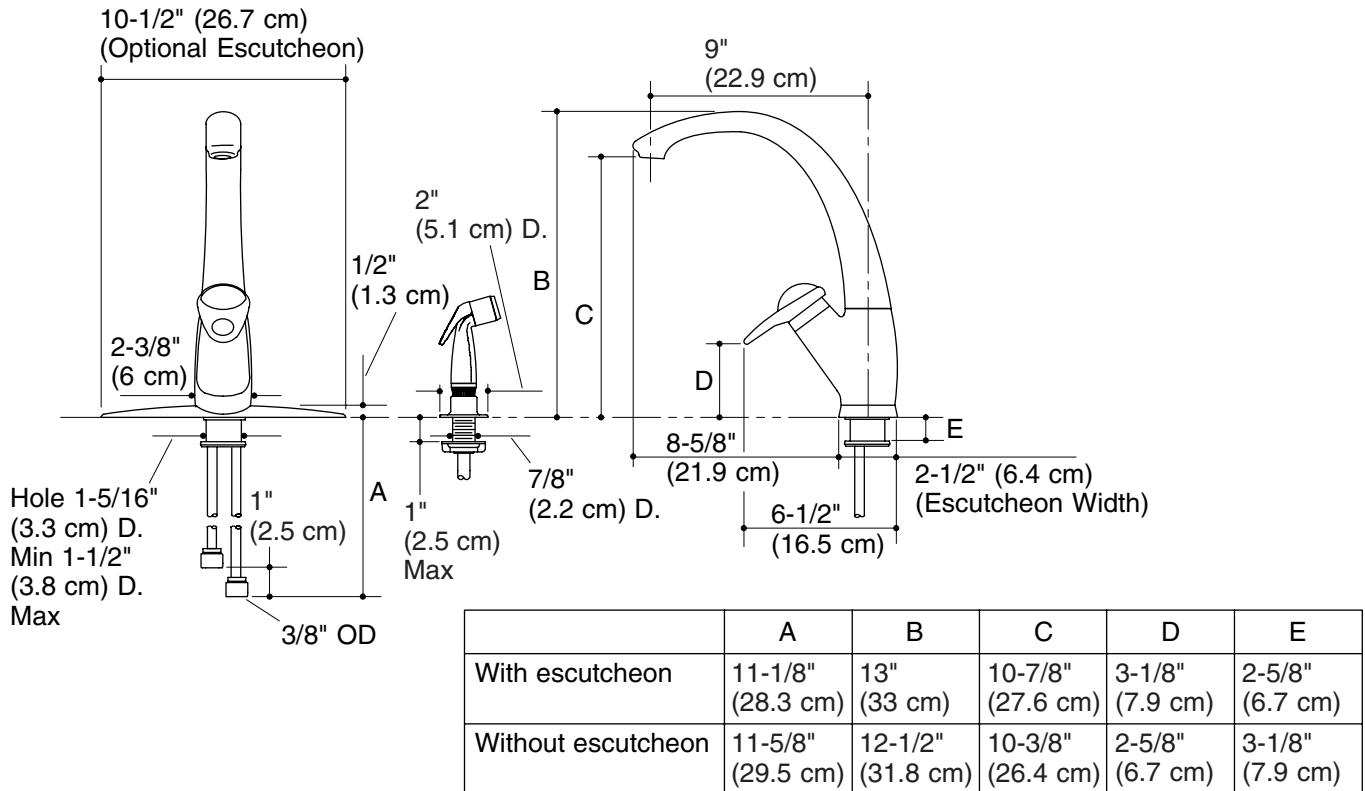
Product Specification

Single-control kitchen sink faucet shall be of brass construction. Valve shall be a one-piece, self-contained ceramic disc valve, and allows both volume and temperature control. Valve shall feature temperature memory, allowing the faucet to be turned on and off at any temperature setting, and includes a high-temperature limit stop. Faucet shall be rated at 2.2 gallons (8.3 L) per minute. Faucet shall have lower flow aerator options. Faucet shall include 9" (22.9 cm) gooseneck swing spout, front lever handle, handspray, and 10-1/2" (26.7 cm) escutcheon for three-hole installations. Faucet shall be Kohler Model K-6356-____.

AVATAR™

Installation Notes

Install this product according to the installation guide.



Product Diagram