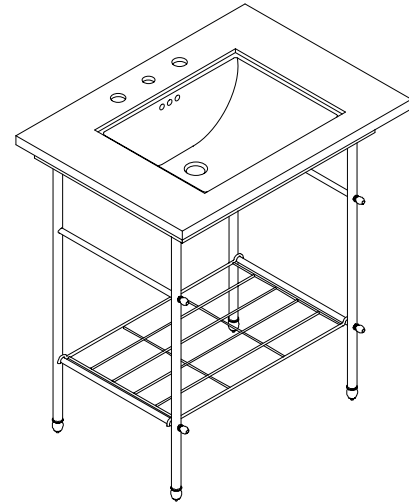


LAVATORY BASIN WITH CONSOLE TABLE LEGS

K-6880
ALSO K-2269

FEATURES

- 30" x 21-3/4" x 34"
- Fireclay lavatory basin with stately design
- Console table legs with wire rack
- Single-hole (K-2269-1) or 8" centers (K-2269-8) drilling
- With overflow



CODES/STANDARDS APPLICABLE

Specified model meets or exceeds the following:

- ASME/ANSI A112.19.9M
- IAPMO/UPC

COLORS/FINISHES

- 0 White
- Other Refer to Fixtures Price Book for additional colors

Accessories:

- CP Polished Chrome
- Other Refer to Faucets Price Book for additional finishes

SPECIFIED MODEL:

Model	Description	Colors/Finishes	
K-6880	Console table legs	<input type="checkbox"/> CP	<input type="checkbox"/> Other_____
K-2269-1	Single-hole lavatory*	<input type="checkbox"/> 0 White	<input type="checkbox"/> Other_____
K-2269-8	8" centers lavatory*	<input type="checkbox"/> 0 White	<input type="checkbox"/> Other_____

*Lavatory required for console table legs.

Recommended Accessories			
K-7605-P	Lavatory supplies 3/8" (pair)	<input type="checkbox"/> CP	<input type="checkbox"/> Other_____
K-8998	Trap	<input type="checkbox"/> CP	<input type="checkbox"/> Other_____

PRODUCT SPECIFICATION:

The console table with lavatory basin shall be 30" in length, 21-3/4" in width, and 34" in height. Lavatory basin shall be made of fireclay. Lavatory shall be stately design. Lavatory basin shall have single-hole (K-2269-1) or 8" centers (K-2269-8) drilling. Console table shall have metal legs with wire rack (K-6880). Lavatory basin shall have overflow. Lavatory basin shall be Kohler Model K-2269-_____ - _____ and console table legs shall be Kohler Model K-6880-_____.

PRODUCT INFORMATION

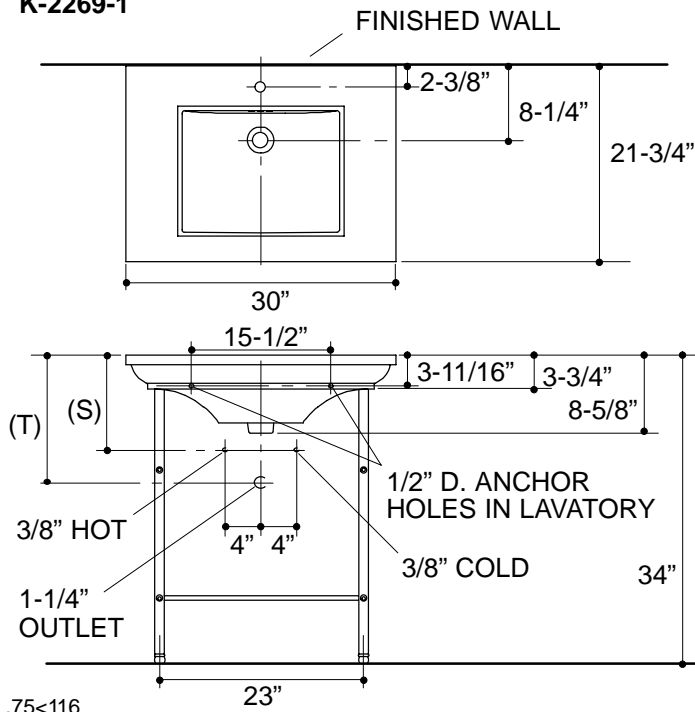
Fixture*:		basin area	water depth
Lavatory		18" x 14"	5"
Outlet	1-3/4" D.		
* Approximate measurements for comparison only.			

Holes	K-2269-1	K-2269-8	
Spout	1-3/8" D.	1-3/16" D.	
Faucet		1-7/16" D.	

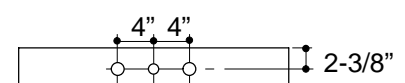
Included Components:	
Lavatory accessory pack	52204
Hanger bracket	64839
Wire rack	84739

Roughing-In Notes		
(T) Pop-up drain 14-1/4", grid drain 13-3/8".		
Supply (Based on 12" riser which may require cutting).	K-2269-1	K-2269-8
(S)	10"	14"

K-6880
K-2269-1



K-2269-8



FINISHED WALL

PRODUCT DIAGRAM