

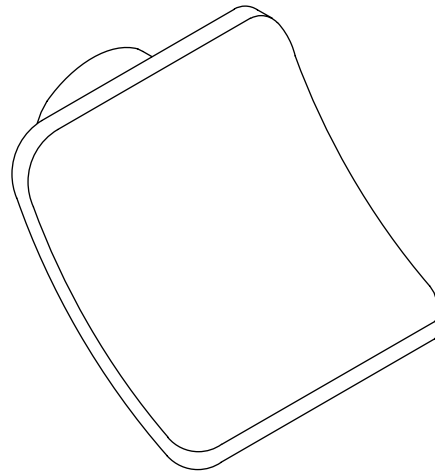
#### Features

- Brass trim plate
- 5-5/16" (13.5 cm) sheetflow non-diverter spout with slip-fit connection

#### Codes/Standards Applicable

Specified model meets or exceeds the following:

- ASME A112.18.1/CSA B125.1
- IAPMO/UPC
- CSA International



#### Colors/Finishes

- CP: Polished Chrome
- Other: Refer to Price Book for additional colors/finishes

#### Specified Model

Model	Description	Colors/Finishes	
K-6946	Bath spout	<input type="checkbox"/> CP	<input type="checkbox"/> Other

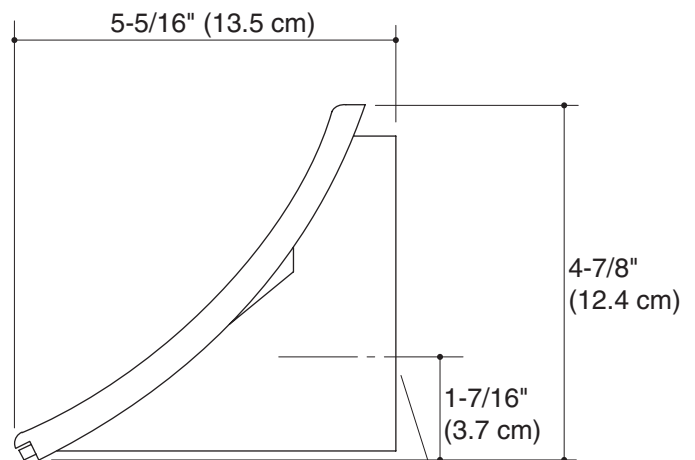
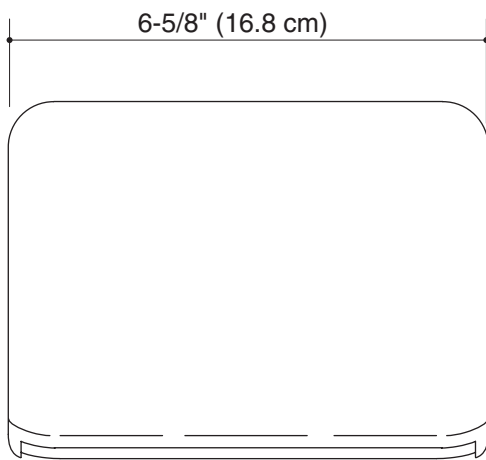
#### Product Specification

Wall-mount non-diverter bath spout shall feature 5-5/16" (13.5 cm) sheetflow non-diverter spout with slip-fit connection and brass trim plate. Spout shall be Kohler Model K-6946-\_\_\_\_\_.

# SOURIS®

## Installation Notes

Install this product according to the installation guide.



1/2" (1.3 cm) Nom (5/8" OD) Tube  
1-1/4" (3.2 cm) Min  
1-11/16" (4.3 cm) Max

## Product Diagram