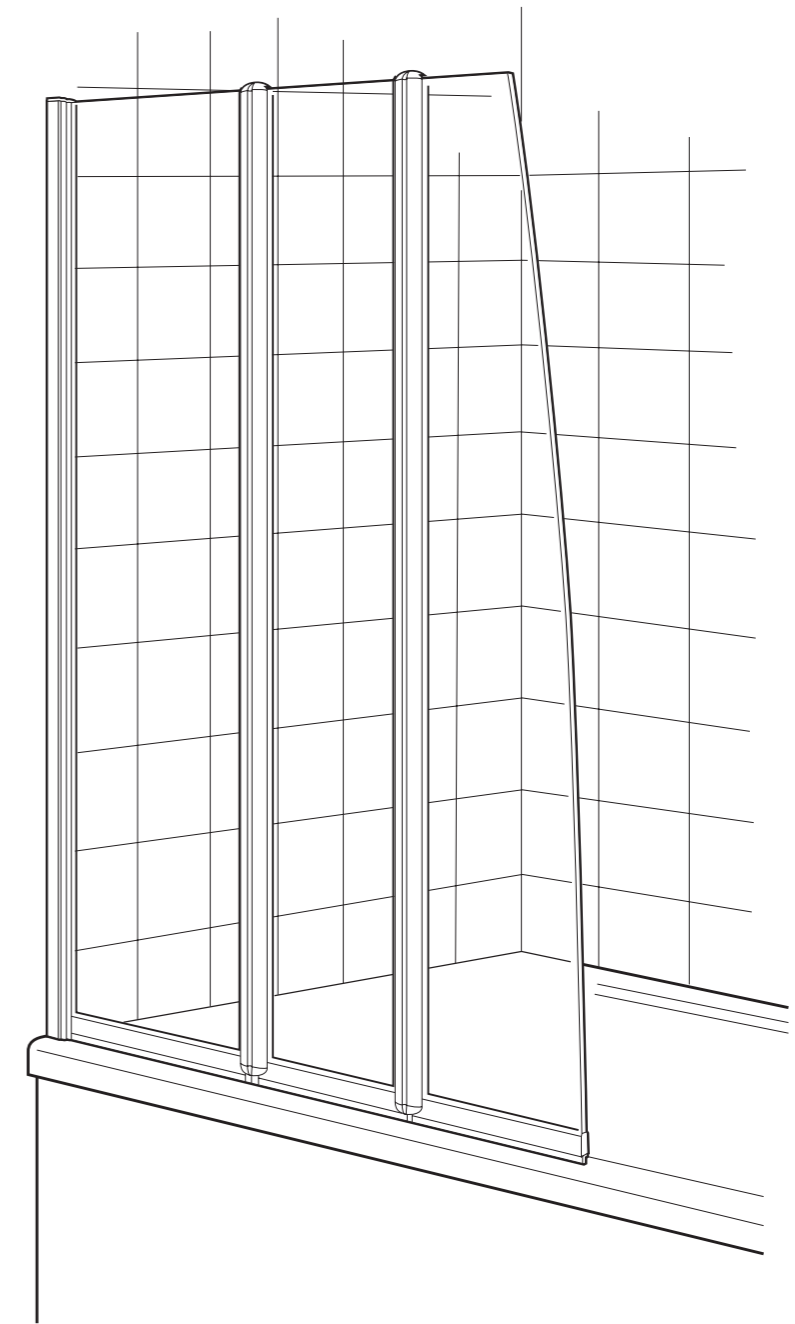


THE BOLD LOOK  
OF **KOHLER**®



USA: 1-800-4-KOHLER  
Canada: 1-800-964-5590  
México: 001-877-680-1310

[kohler.com](http://kohler.com)

THE BOLD LOOK  
OF **KOHLER**®

©2006 Kohler Co.

**Bath Screen**  
(K-705792, K-705793)

**Fitting Instructions**

# Introduction

Congratulations on purchasing a Kohler Bath Screen.

The following pages aim to provide comprehensive installation instructions, plus advice on how to care and maintain your product.

We recommend that the unit is installed by a qualified Installer.

Please retain this document for future reference.



## Safety Precautions

We strongly recommend that all glass panels are moved by a minimum of two people and that protective packaging along the glass edges is kept in place for as long as possible to prevent damage before installation



Wear protective footwear when lifting panels



Wear Safety glasses when drilling

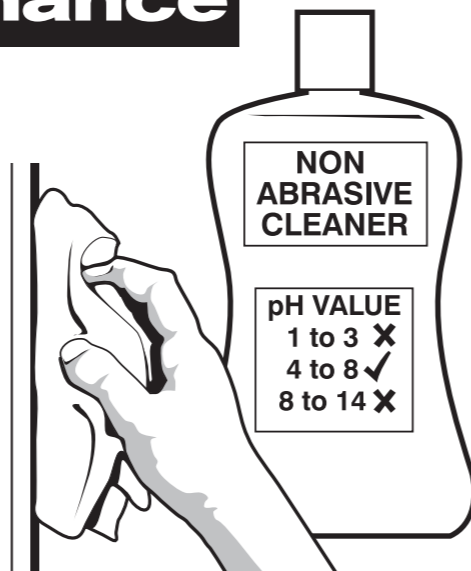
## Care & Maintenance

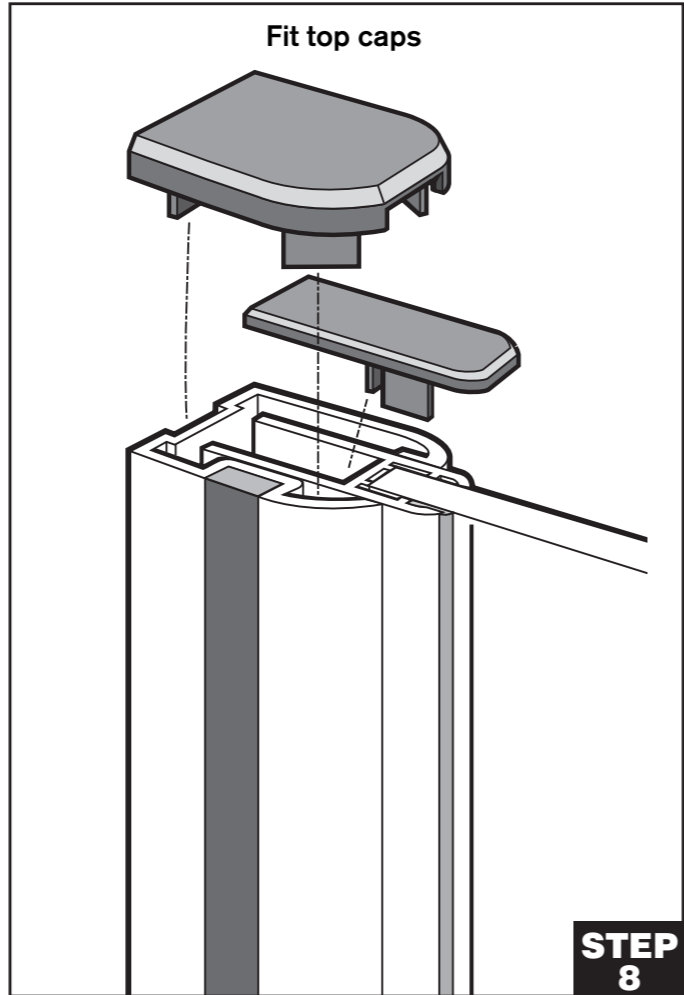
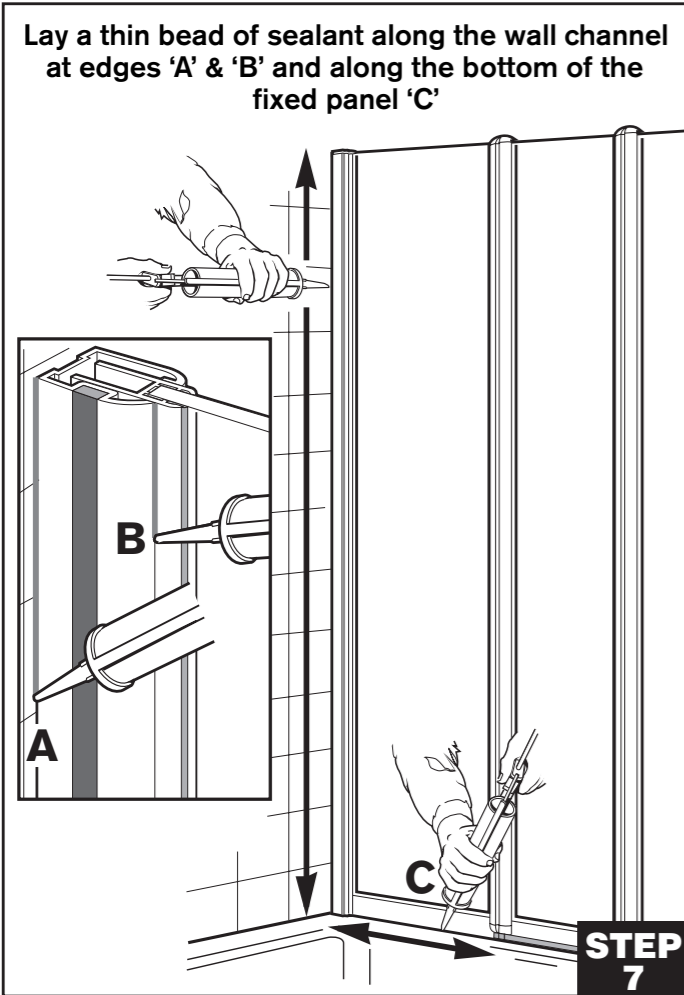
The unit should be cleaned regularly.

Use a non abrasive cleaner (ideally with a pH value of 4 to 8) applied with a soft cloth.

Under no circumstances should scourers or powerful detergents be used as these can damage the metallic surface of the frame and also tarnish the glass coating.

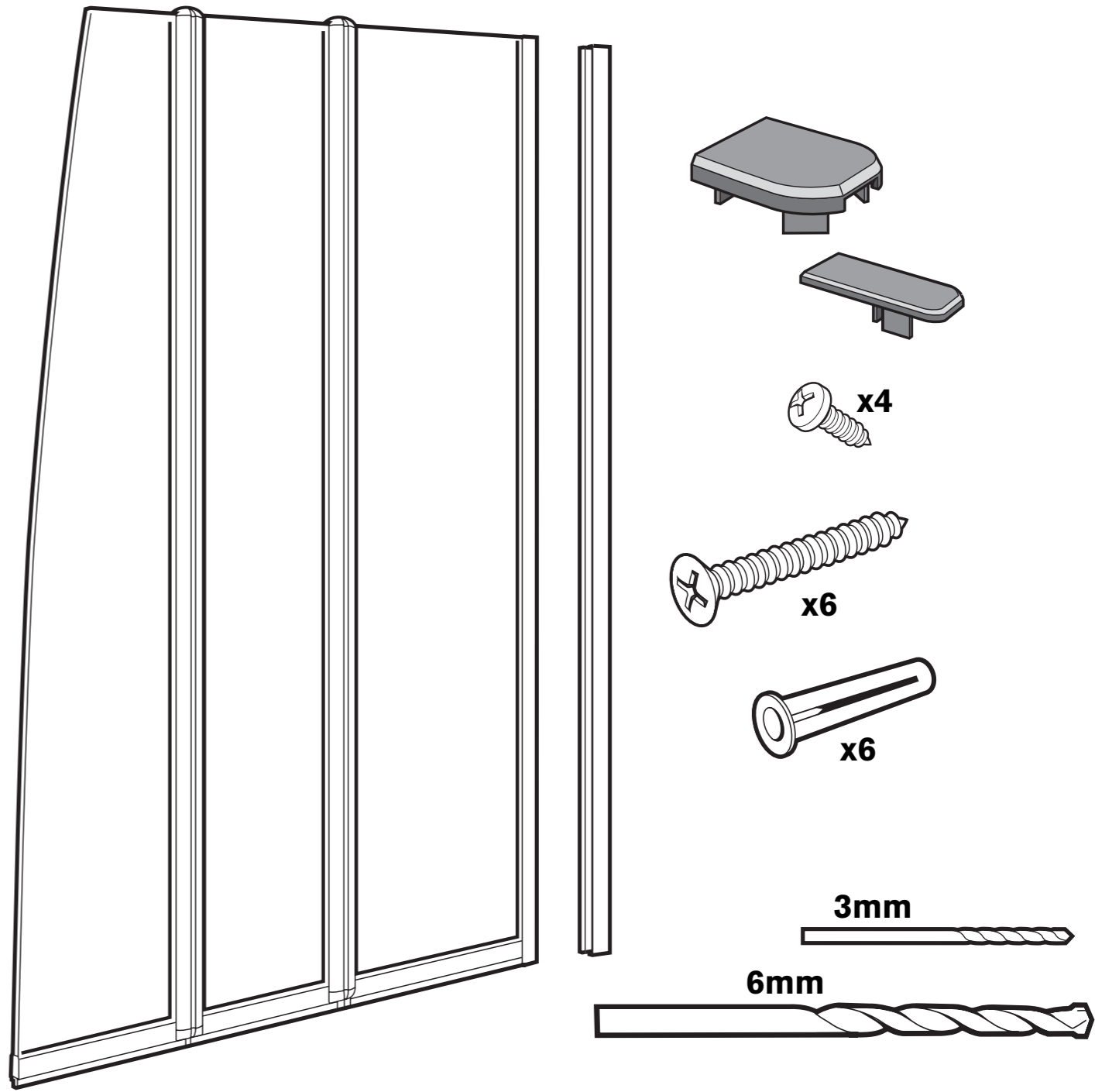
If fitted correctly the unit should not require any maintenance other than cleaning.





# Components

Before installation check that all components are correctly supplied. If any parts are missing please ring the helpline.



USA: 1-800-4-KOHLER  
 Canada: 1-800-964-5590  
 México: 001-877-680-1310

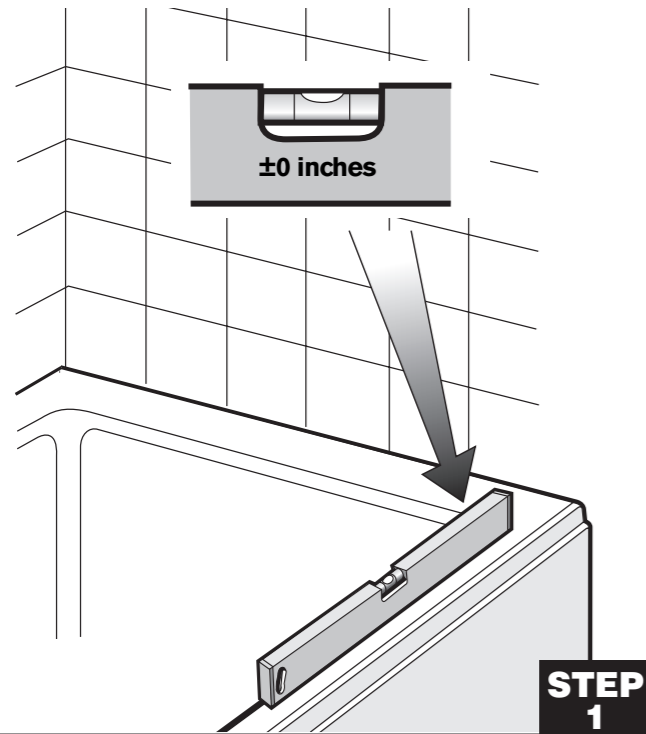
[kohler.com](http://kohler.com)

THE BOLD LOOK  
 OF **KOHLER**

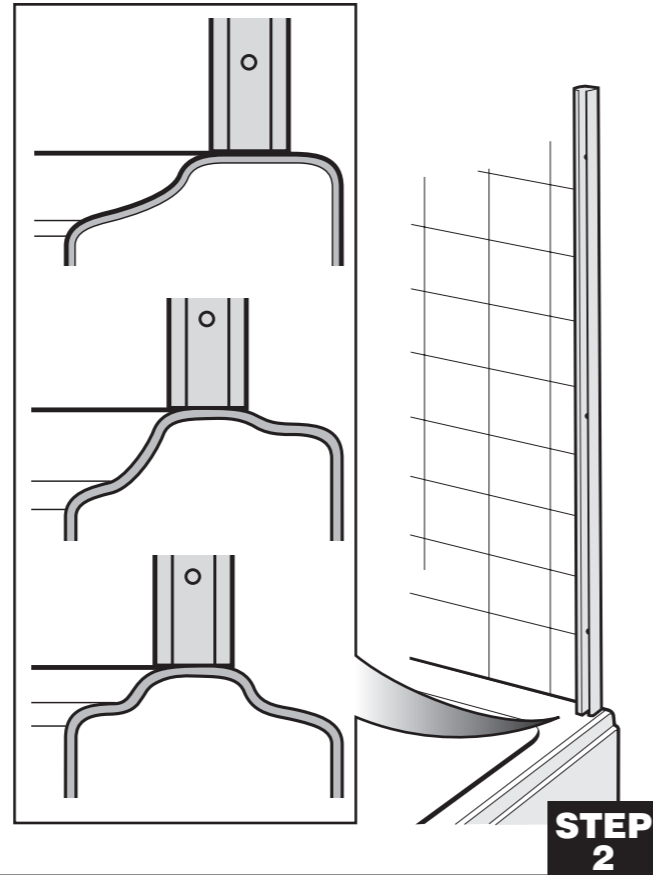
©2006 Kohler Co.

# FITTING INSTRUCTIONS

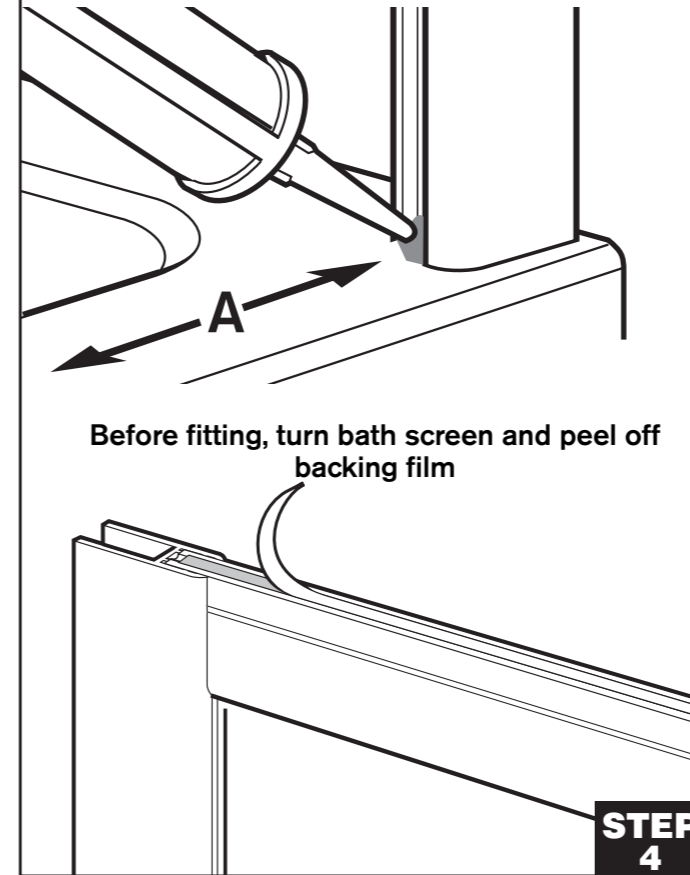
**IMPORTANT**  
Bath must level in all planes.  
If front side is not level the screen will not install properly.



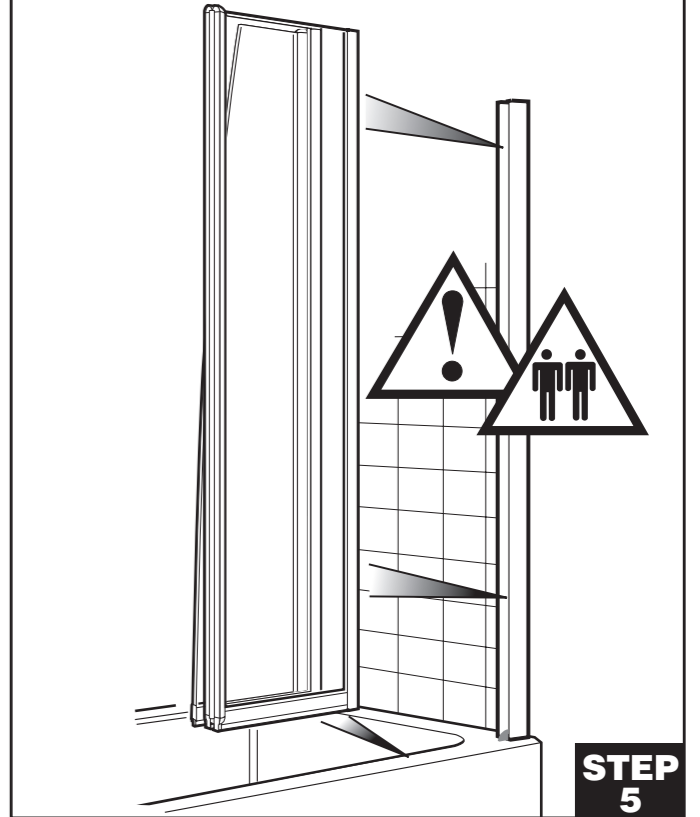
Always fit wall channel to the highest point on bath side



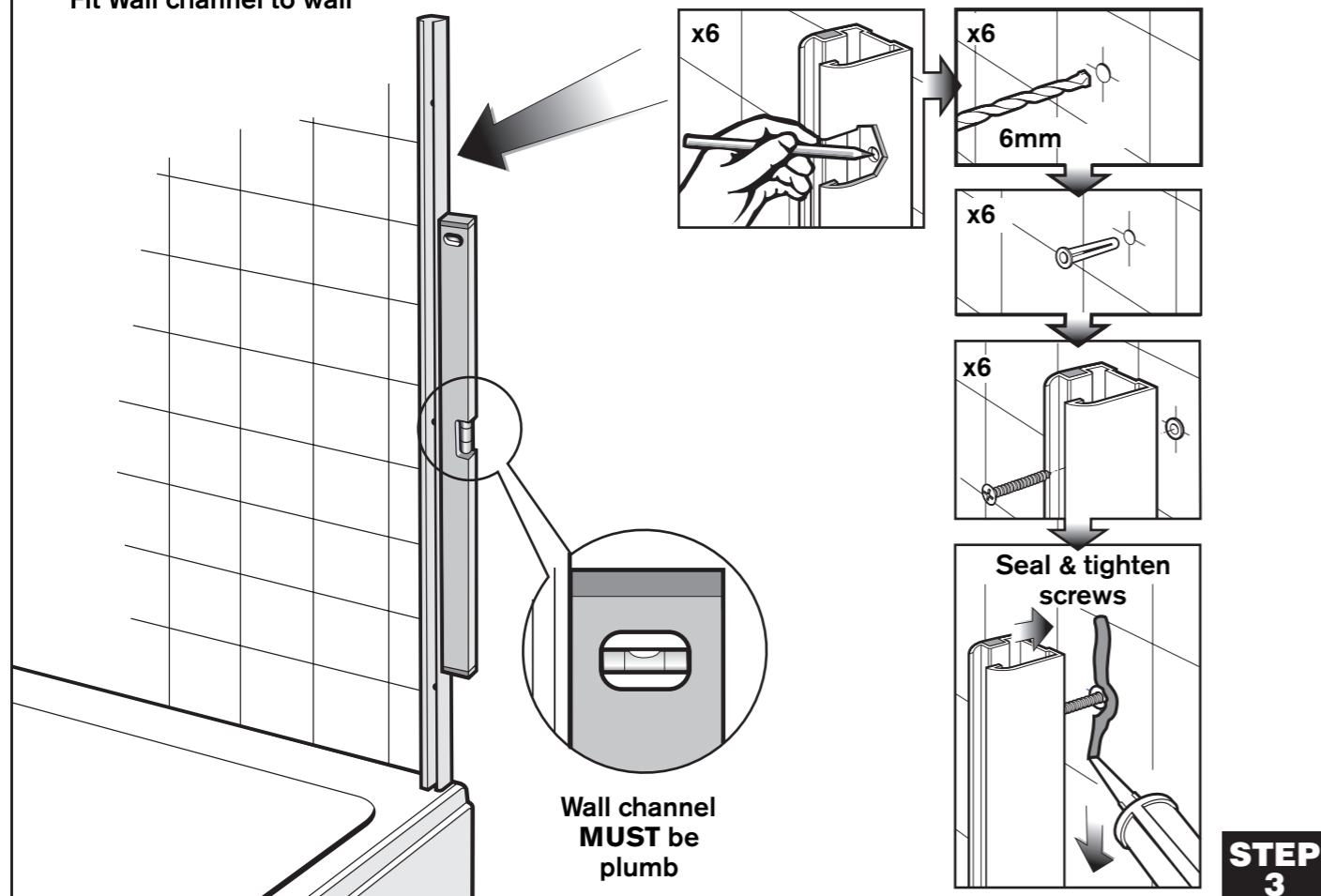
Clean & dry top of bath 'A'.  
Place a blob of sealant in the wall channel



Fold the screen. Have one person carefully lift the screen and place it in the wall channel. At the same time a 2nd person needs to guide the bottom edge so that it is parallel to the front edge of the bath as it is being stuck down.



Fit Wall channel to wall



Pull back seal, drill holes through wall channel and secure screen with screws

