

**FEATURES**

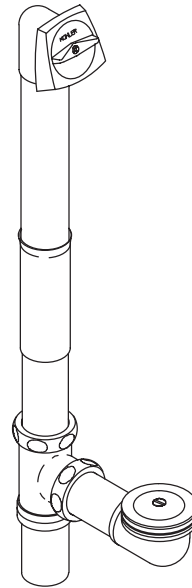
- 17 gauge brass construction
- Above- or through-the-floor installation options
- Adjustable trip lever pop-up drain
- Brass tailpiece

**CODES/STANDARDS APPLICABLE**

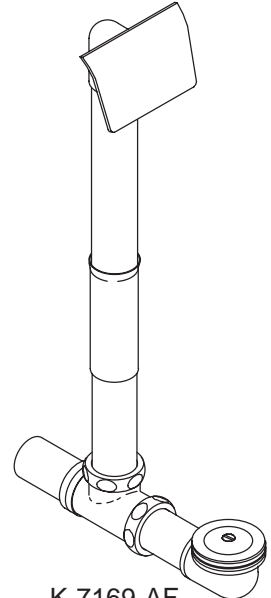
Specified model meets or exceeds the following:

- ASME/ANSI A112.18.1M
- CSA B125 (K-7167)
- IAPMO/UPC

**DRAIN**  
**K-7147-AF**  
**ALSO K-7167, K-7169-AF**



K-7167



K-7169-AF  
K-7147-AF

**COLORS/FINISHES**

- CP Polished Chrome
- PB Polished Brass
- Other Refer to Faucets Price Book for additional finishes

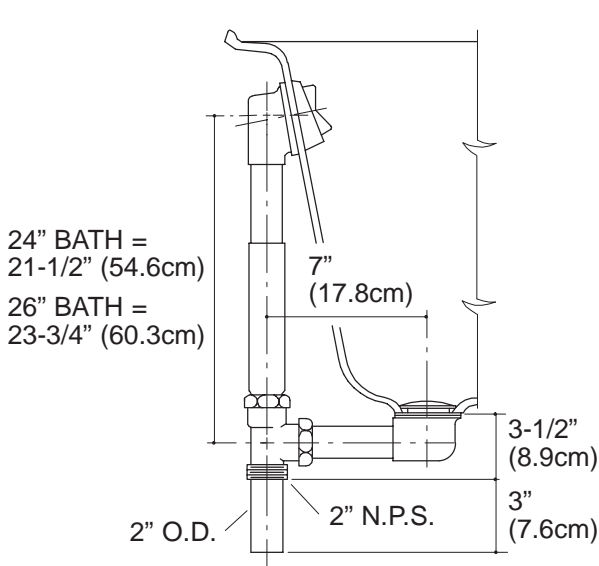
**SPECIFIED MODEL:**

Model	Description			
K-7147-AF	For Baths and Bath Whirlpools with 1-1/2" O.D. Drain Connection	<input type="checkbox"/> CP	<input type="checkbox"/> PB	<input type="checkbox"/> Other_____
K-7167	For Baths and Bath Whirlpools with 2" O.D. Drain Connection	<input type="checkbox"/> CP	<input type="checkbox"/> PB	<input type="checkbox"/> Other_____
K-7169-AF	For Baths and Bath Whirlpools with 1-1/2" O.D. Drain Connection	<input type="checkbox"/> CP	<input type="checkbox"/> PB	<input type="checkbox"/> Other_____

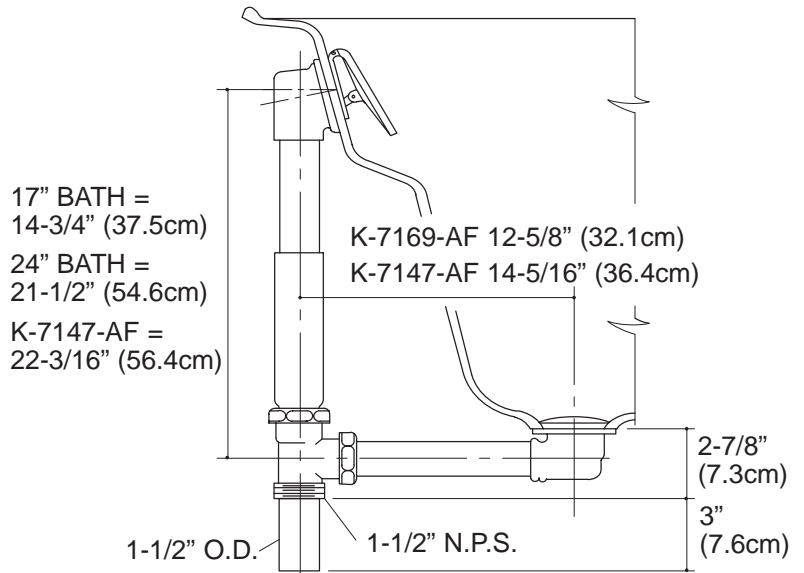
**PRODUCT SPECIFICATION:**

Bath drain shall be of brass construction. Drain shall include an adjustable trip lever drain with brass tailpiece. Drain shall feature above- or through-the-floor installation options. K-7167 is intended for bath and bath whirlpool installations with 2" O.D. drain connection. K-7169-AF and K-7147-AF are intended for bath and bath whirlpool installations with 1-1/2" O.D. drain connection. Drain shall be Kohler Model K-\_\_\_\_\_ - \_\_\_\_\_ - \_\_\_\_\_.

# CLEARFLO



**K-7167**



**K-7147-AF  
K-7169-AF**

## PRODUCT DIAGRAM